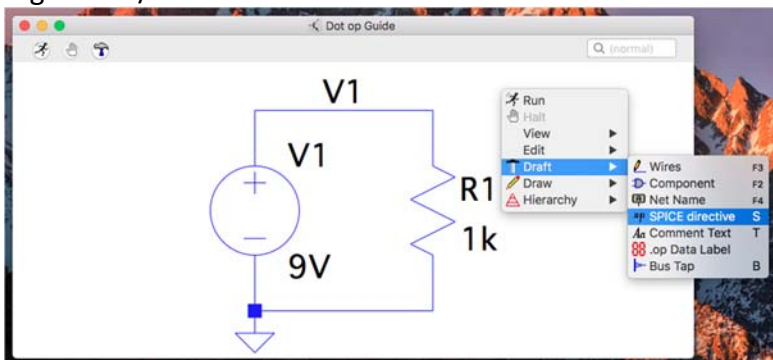
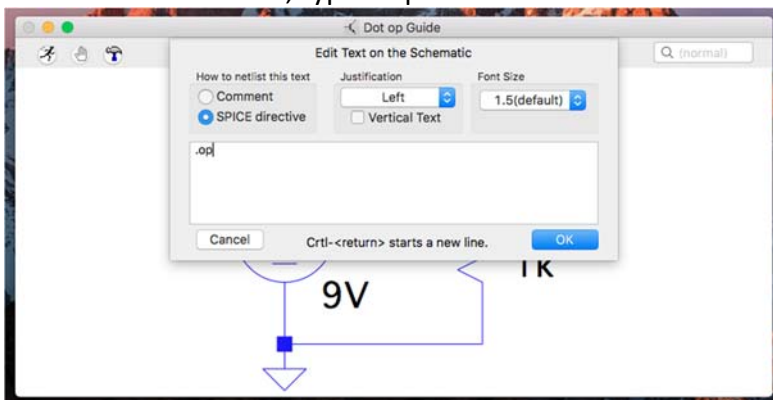


To run a .op simulation:

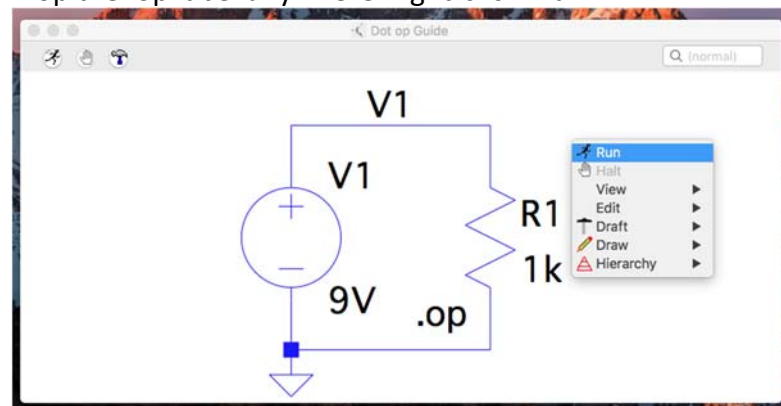
- 1) Right-click/control + click>Draft>SPICE directive



- 2) Under SPICE directive, type ".op" in the box>OK



- 3) Drop the .op label anywhere>right-click>Run



It will open a .raw window, you can close that.



To view the data log:

- 4) Right-click>View>SPICE Error Log

