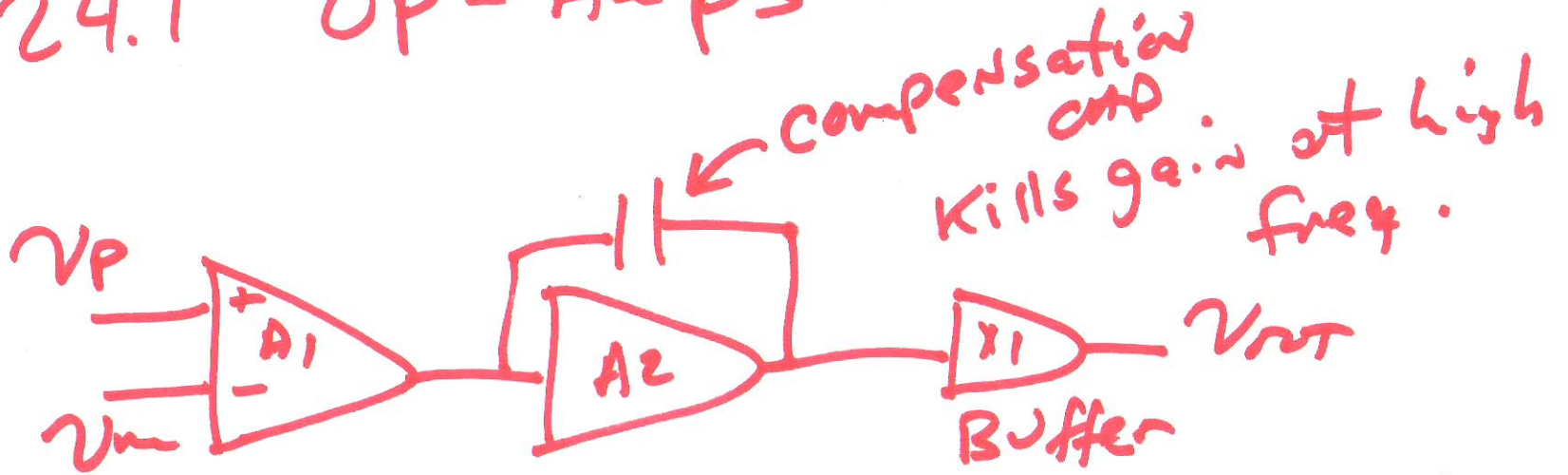
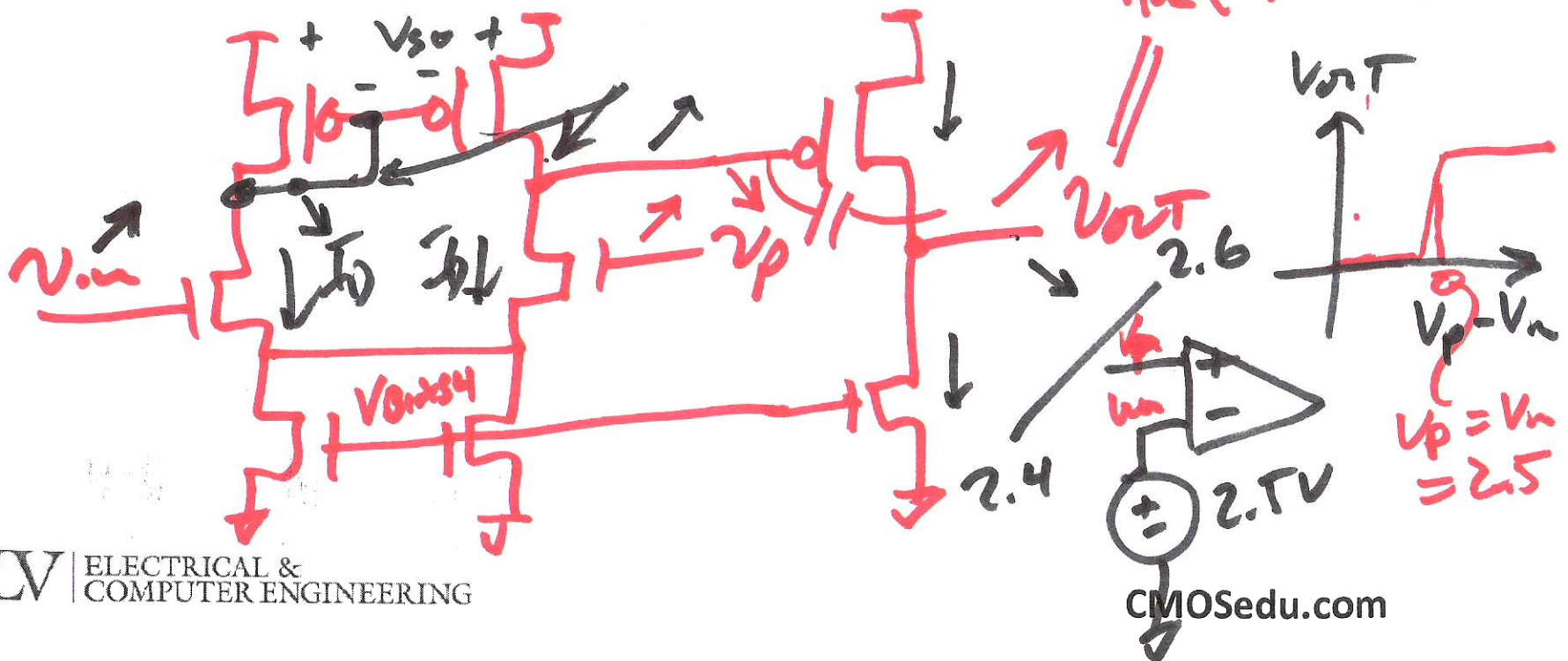
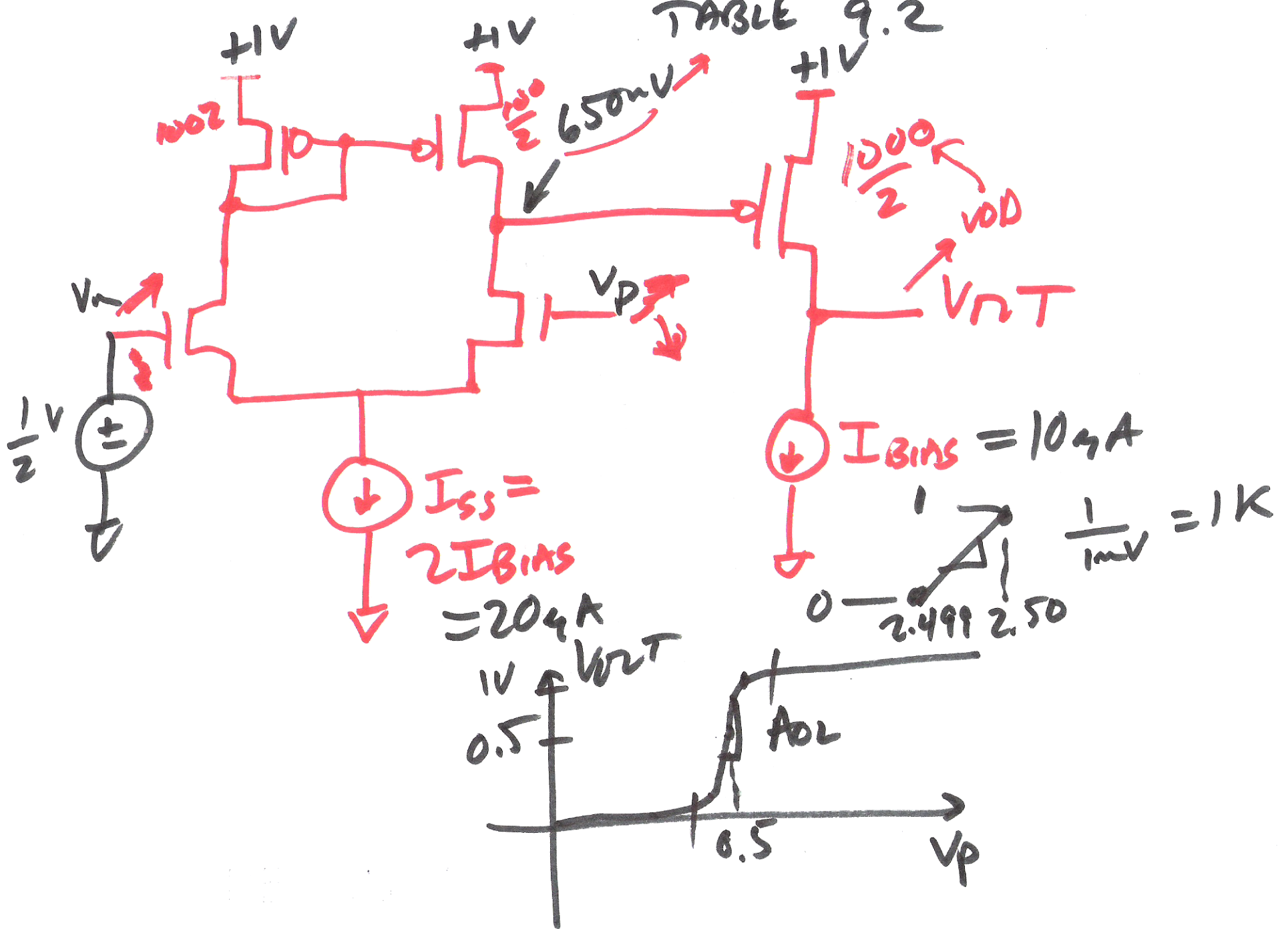


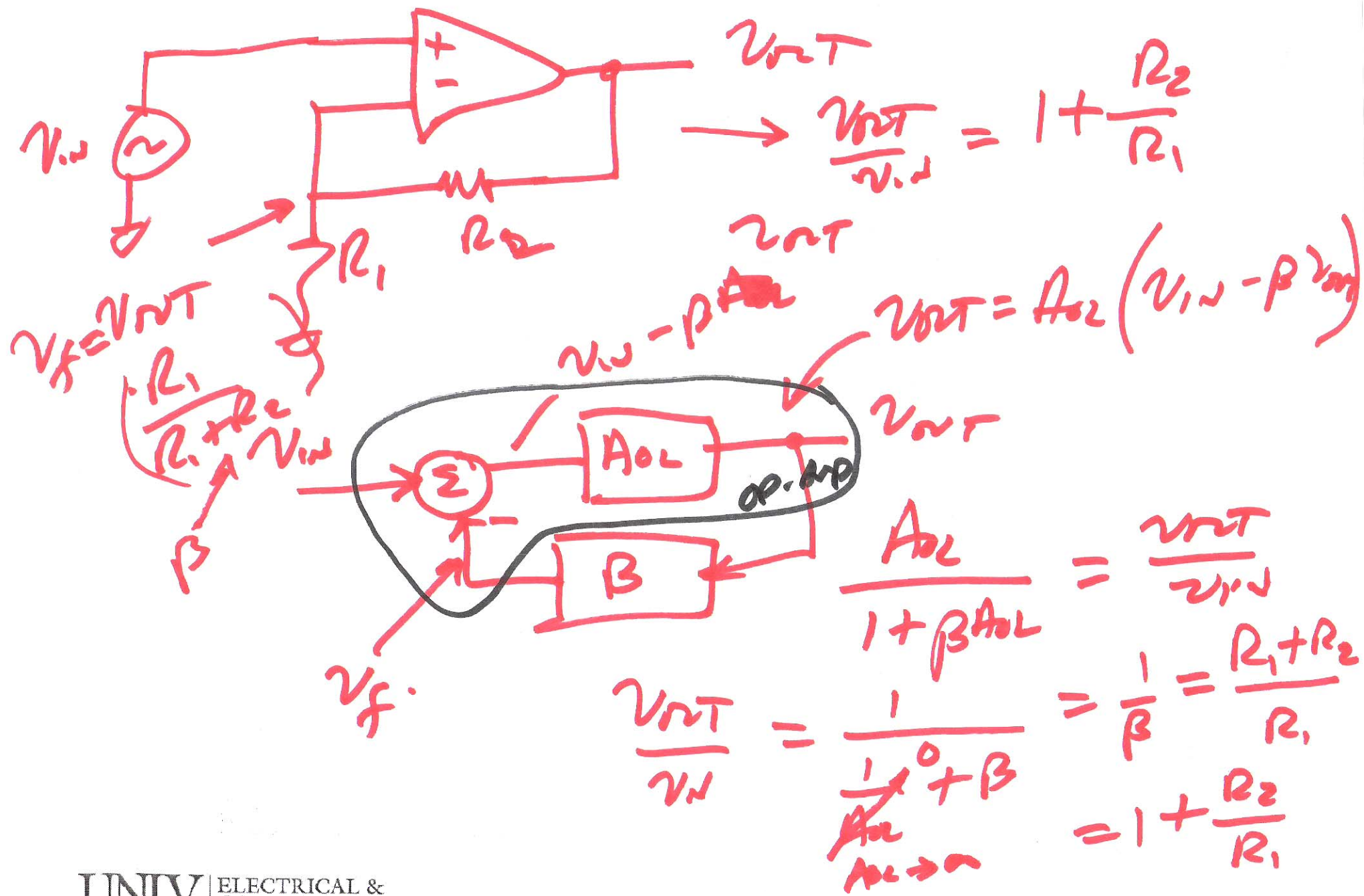
24.1 OP-Amps



DC open loop gain = $A_{OLDC} = A_1 \cdot A_2$
 $v_{out} = A_{OLDC} (v_p - v_m)$







3)