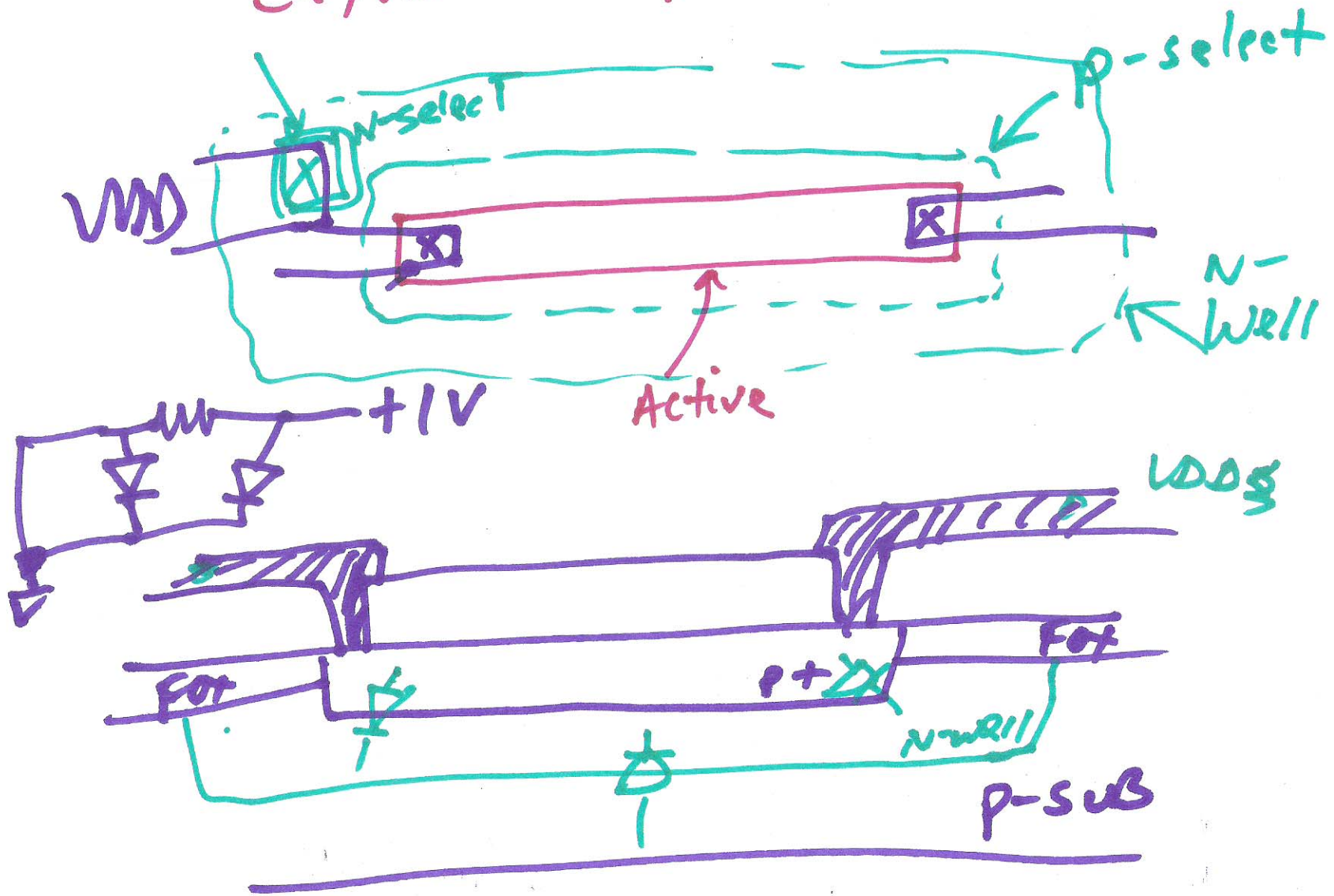
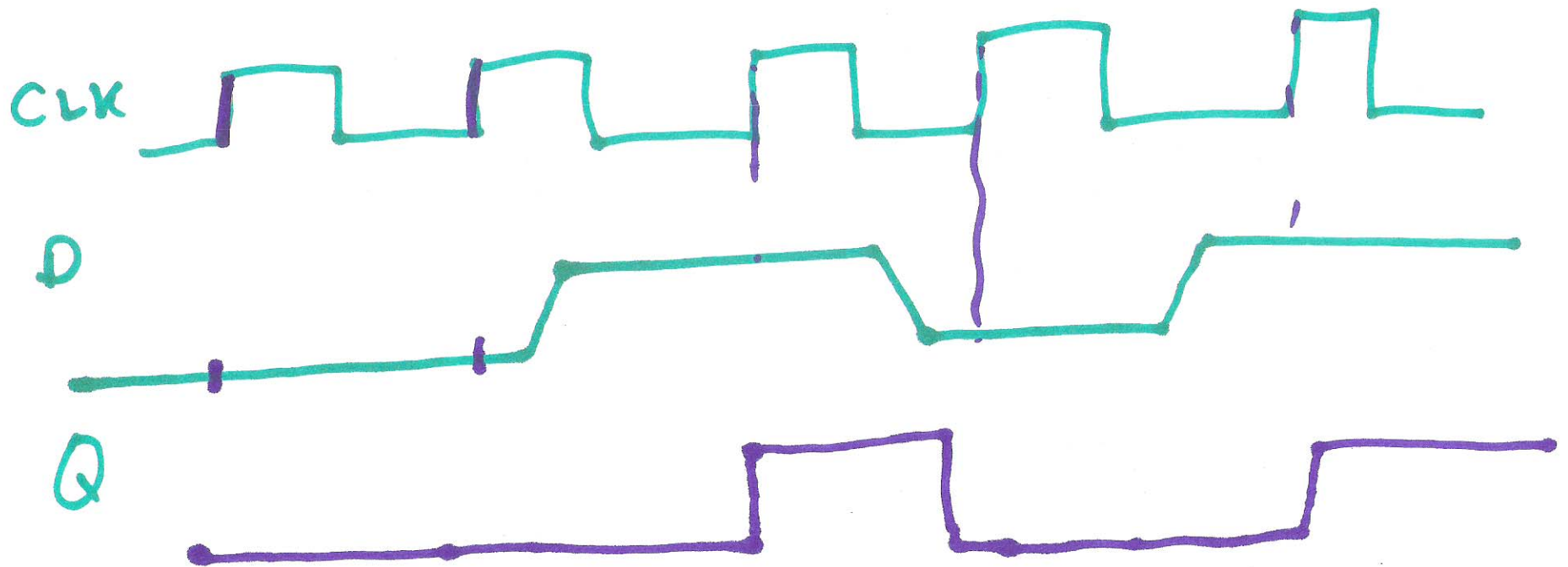
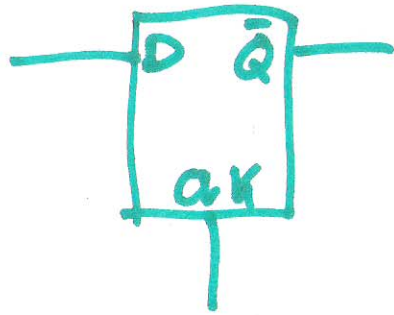


1)

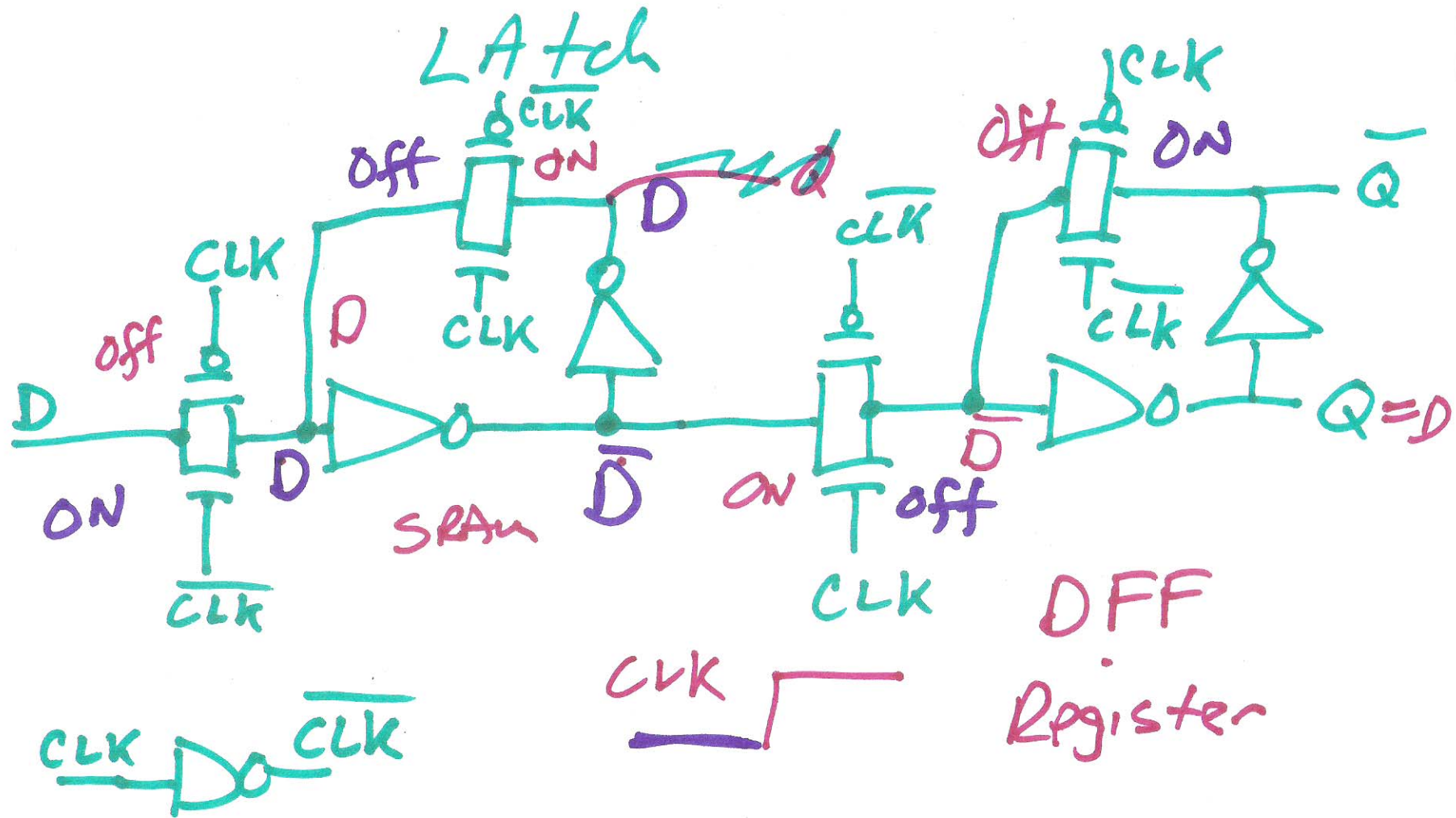
# Layout a P+ resistor



2)



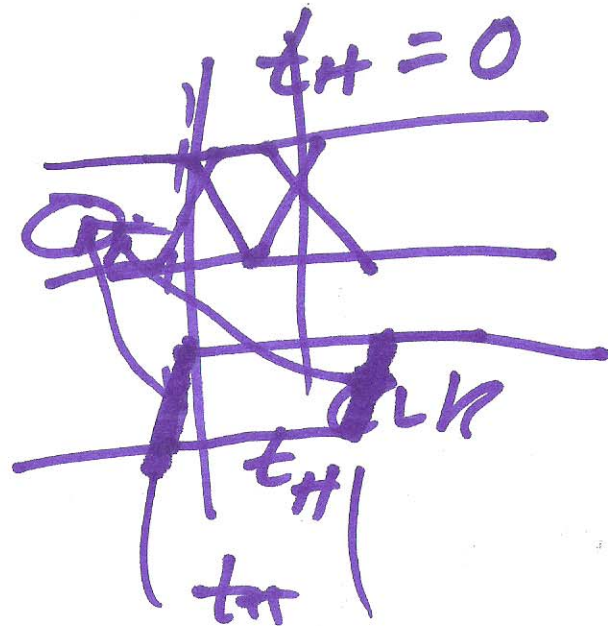
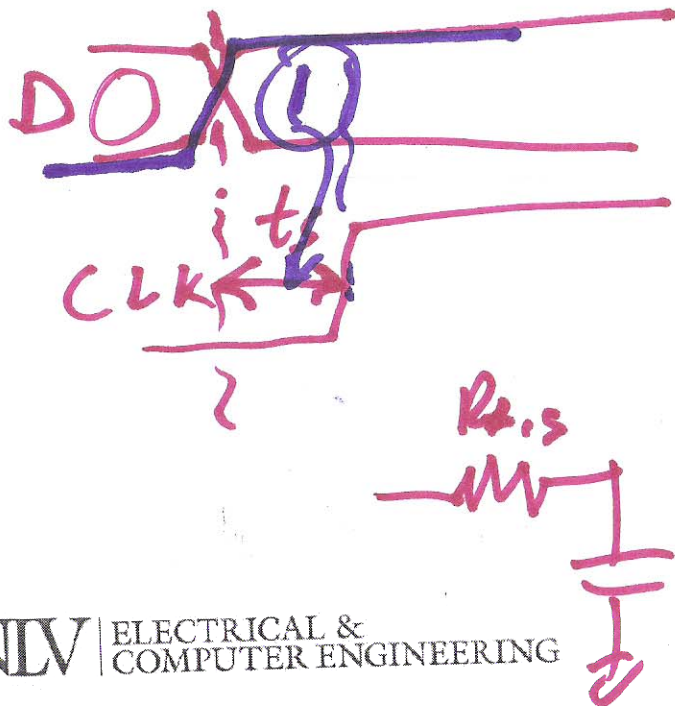
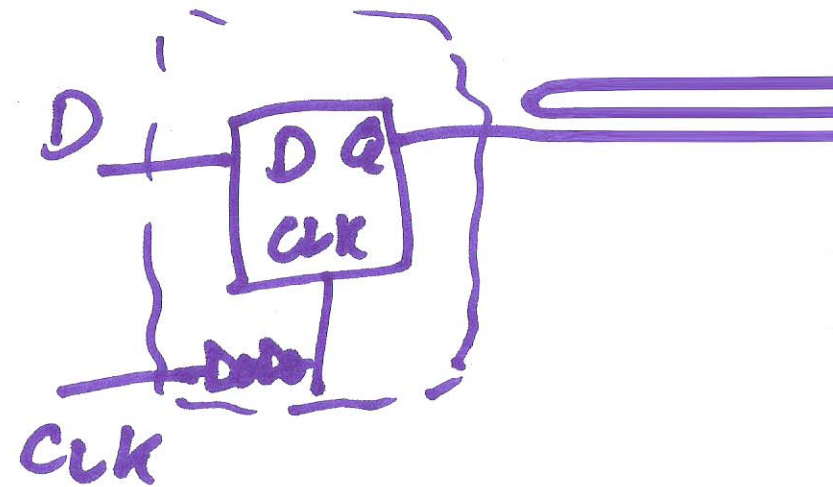
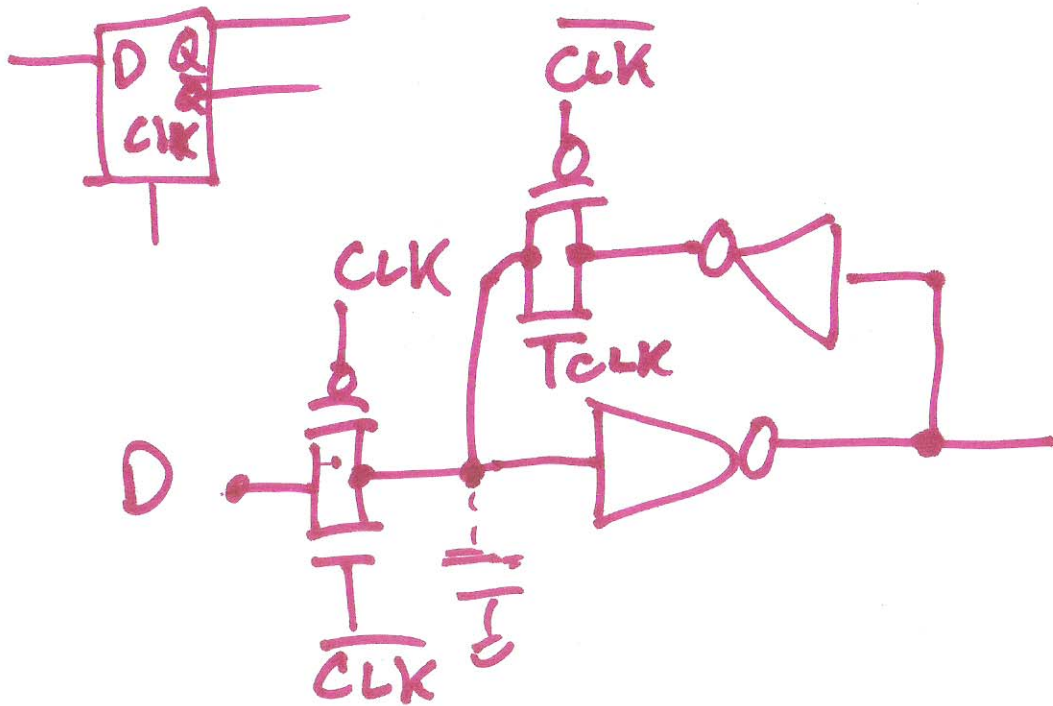
3)

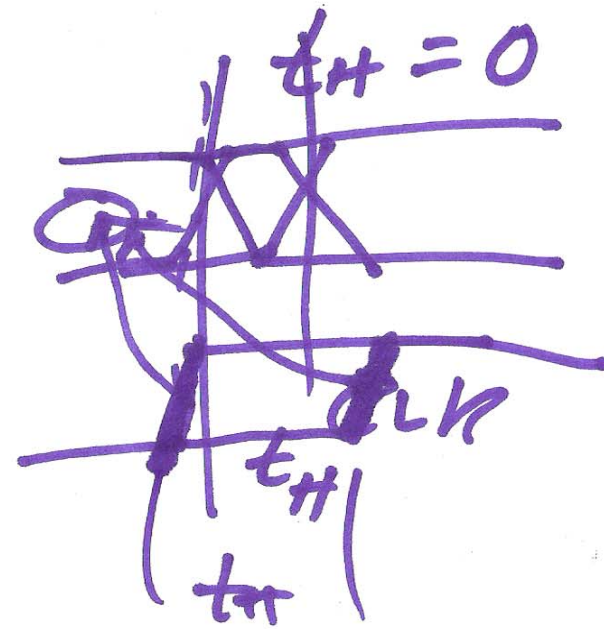
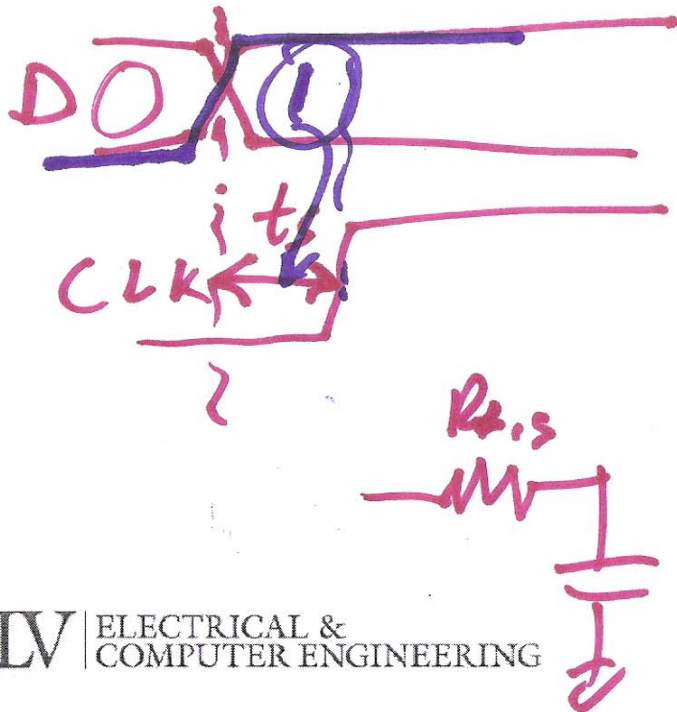
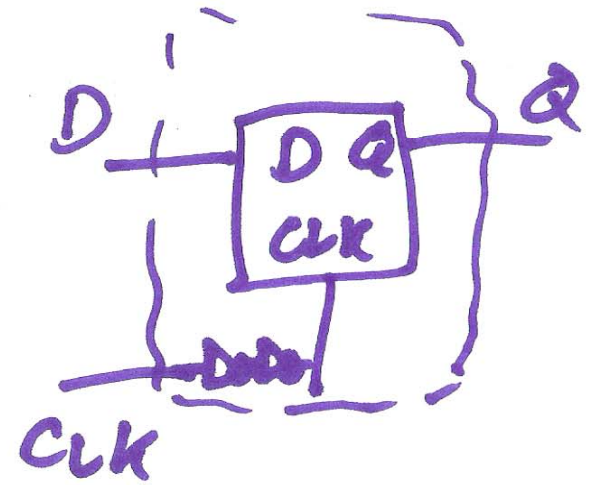
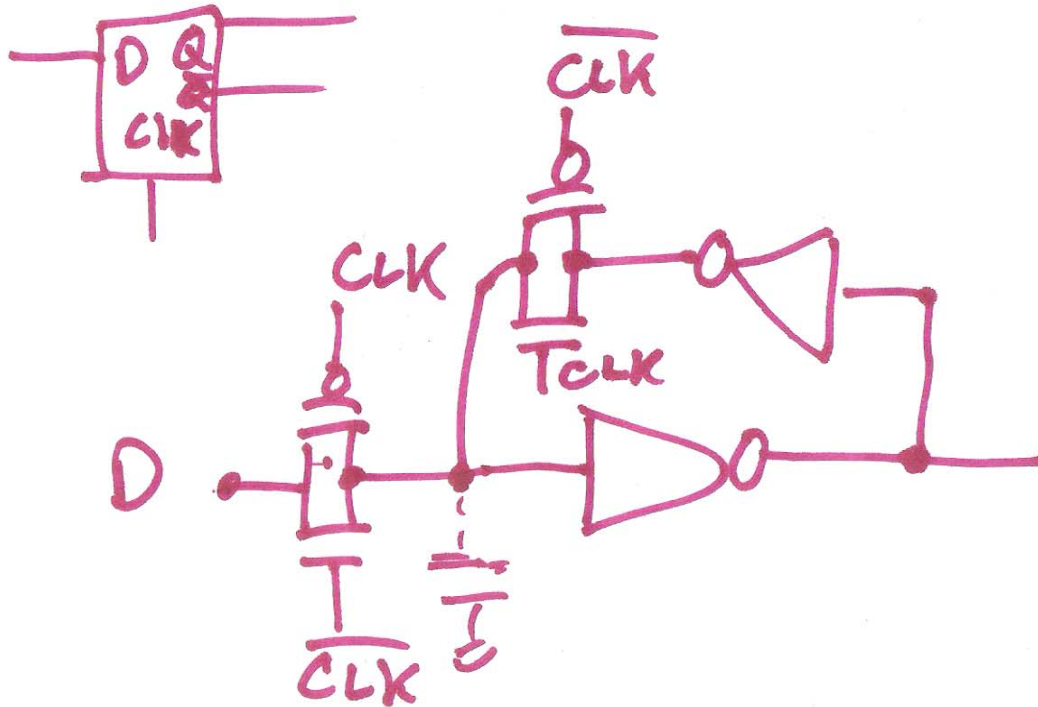


$CLK = 0$   
 $CLK = 1$

Latch

$D = Q$   
 $CLK = 0$





5)