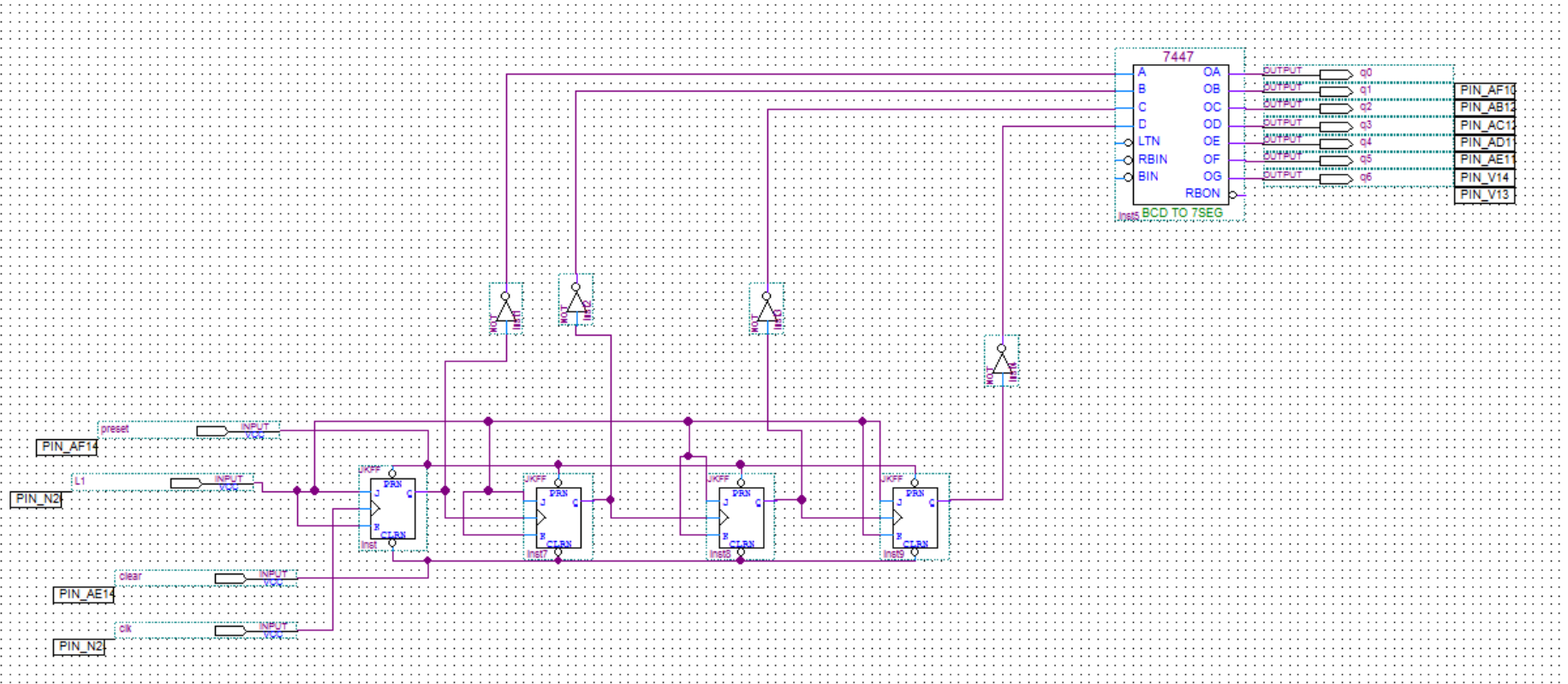


Lab 9 Sequential Circuit Design

Yiyan Li

Counter Schematic (0-9)



I am using the JK flip flop block directly. Notice that this is just using one 7-segment LED display, you don't have to display with two 7-segment LEDs in this experiment as required by the instruction online. But if you still can do that if you want. And of course, you can also use your flip flop.