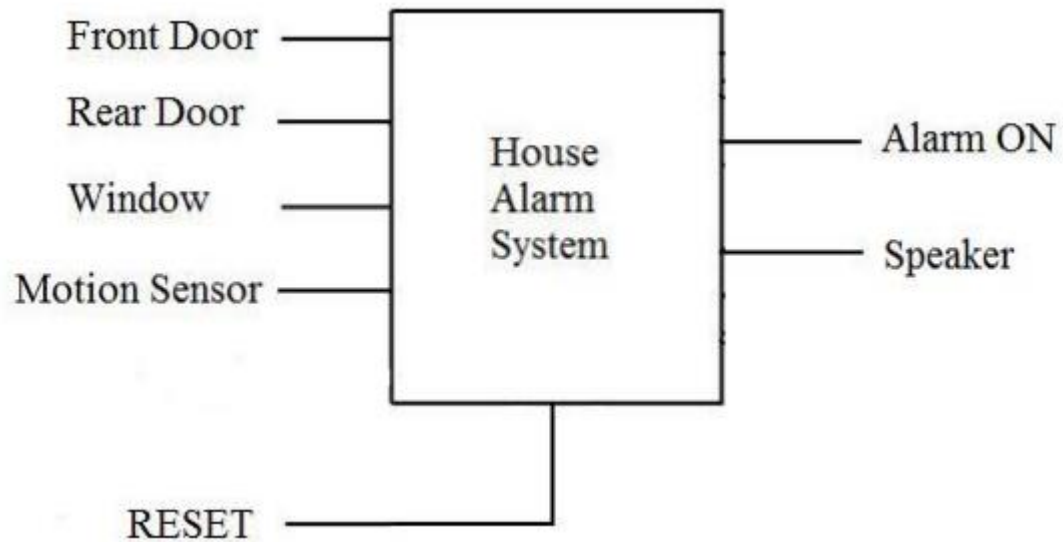


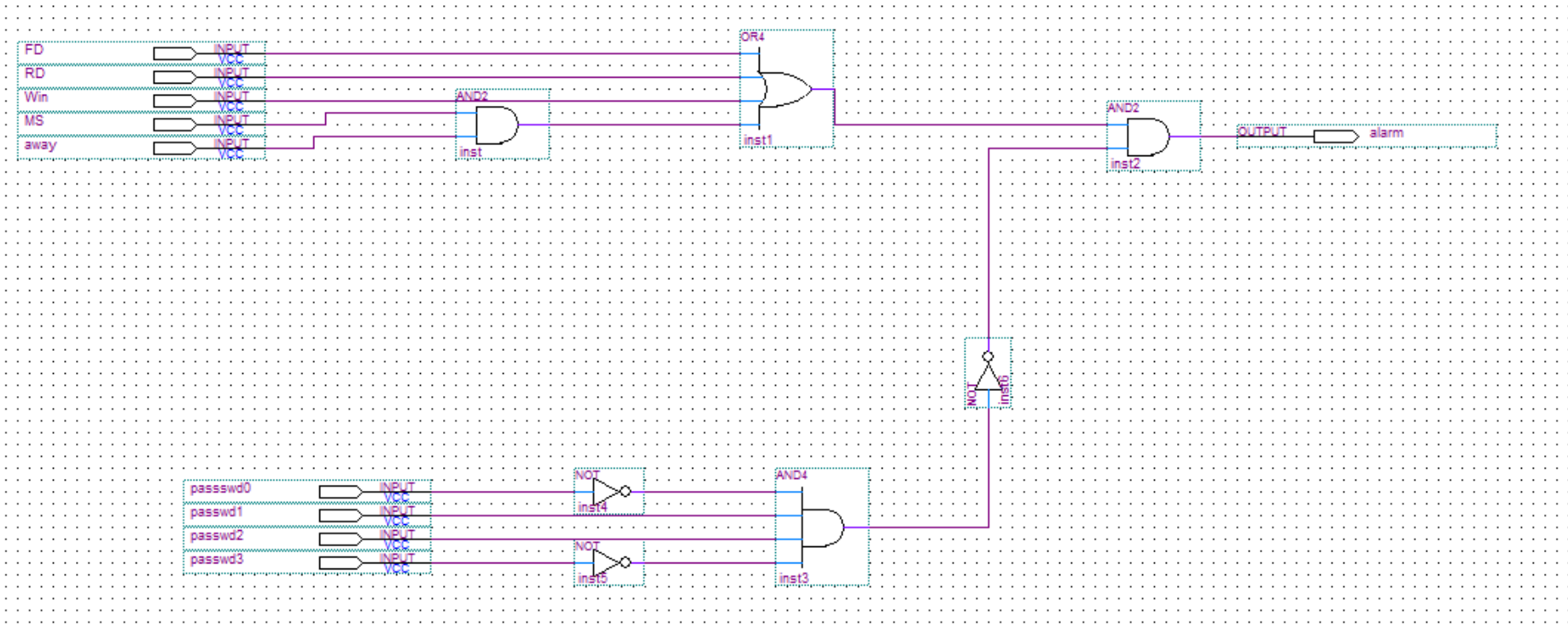
Lab 8 House Alarm

Yiyan Li

Top Level of the system



Schematic Sample



This schematic is just a concept, you should modify it and explain the principle when you are demonstrating your results for the credit.