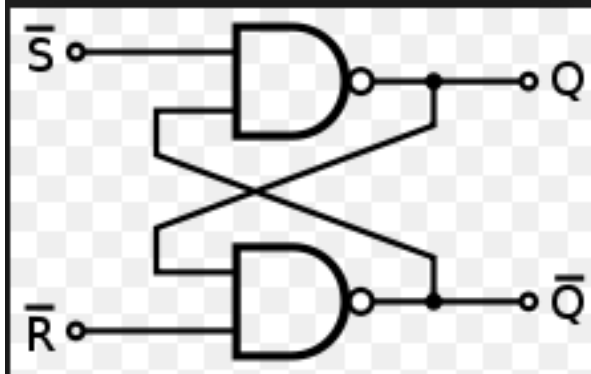
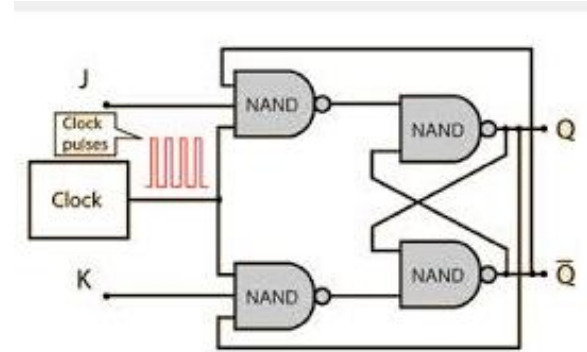


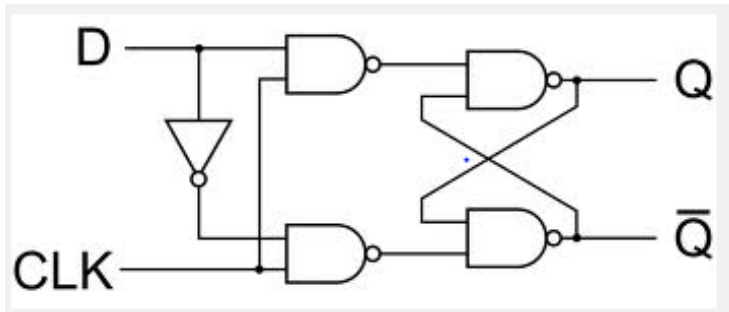
# Lab 7 Sequential Elements



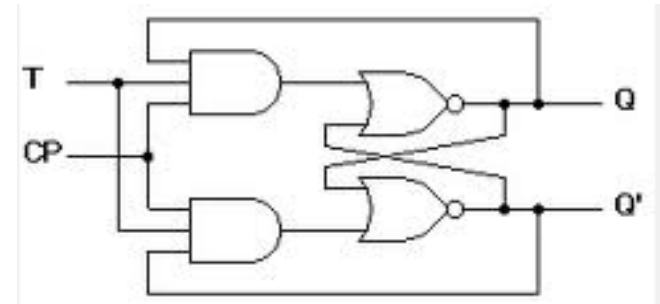
RS flip flop



JK flip flop

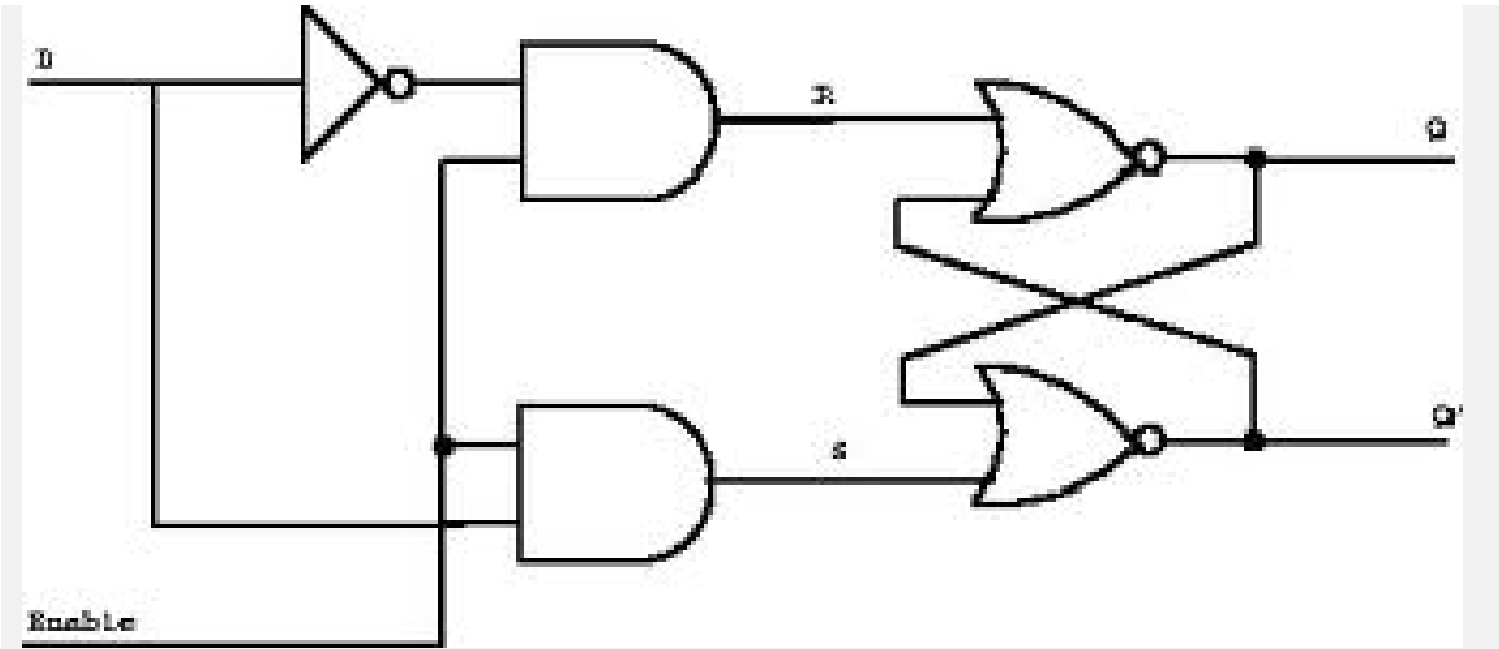


D flip flop

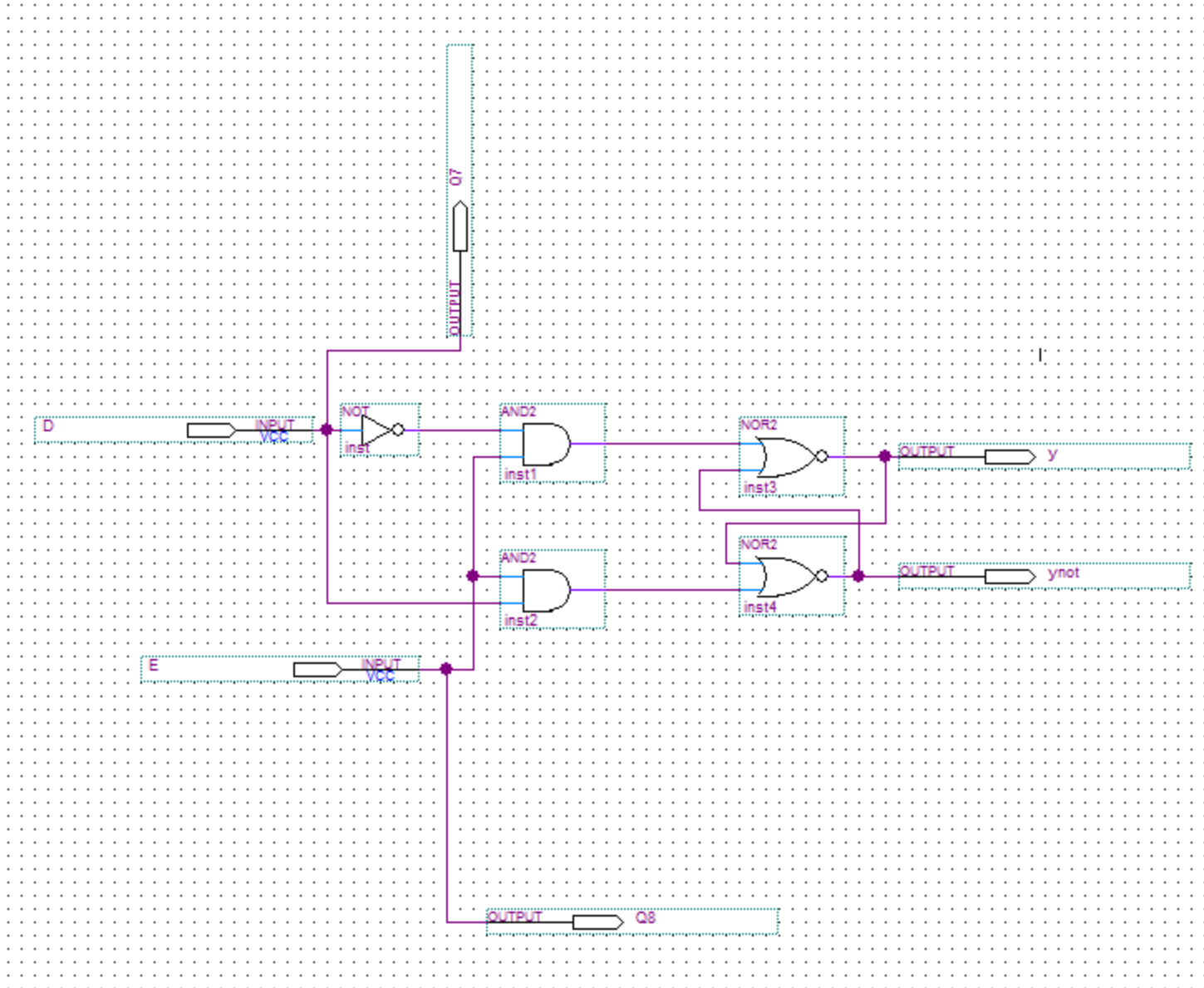


T flip flop

# Adding 'Enable' to the flip flop



# 1-bit memory with 'Enable'



# 2-bit memory with 'Enable' and 'Reset'

