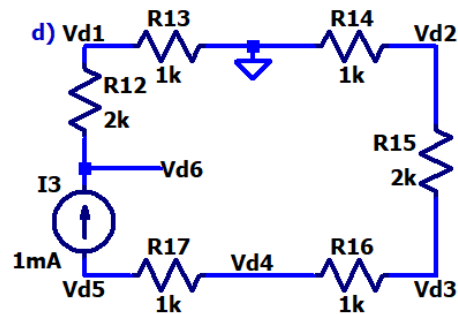
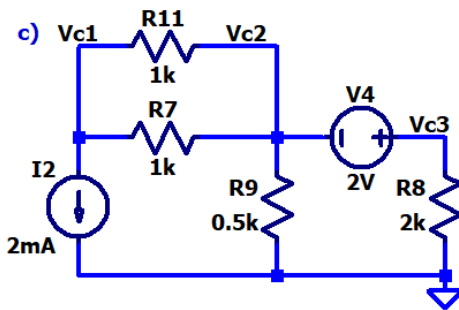
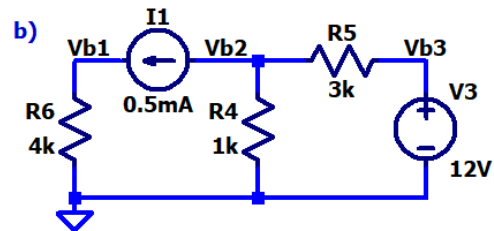
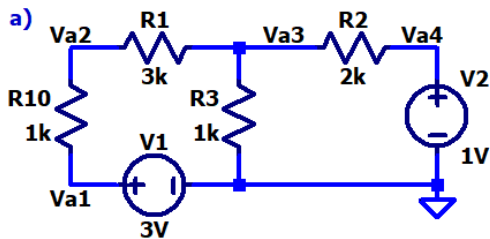


HW7 – Due Wednesday, February 16
EE220 – Circuits I
Spring 2022

To get full credit:

- Show your work.
- Put a box around each of your answers.
- Make sure to **follow all instructions**.

1. Determine the voltages and currents in the circuits given below **using any method you choose**. Verify your work using LTspice. (8 points)



2. Find the Thevenin and Norton equivalent circuits for the given circuits when the **load resistor (RLa, RLb) is removed**. Verify that your equivalent circuits are correct using LTspice to simulate the original circuits, the Thevenin equivalent circuits, and the Norton equivalent circuits. (6 points)

