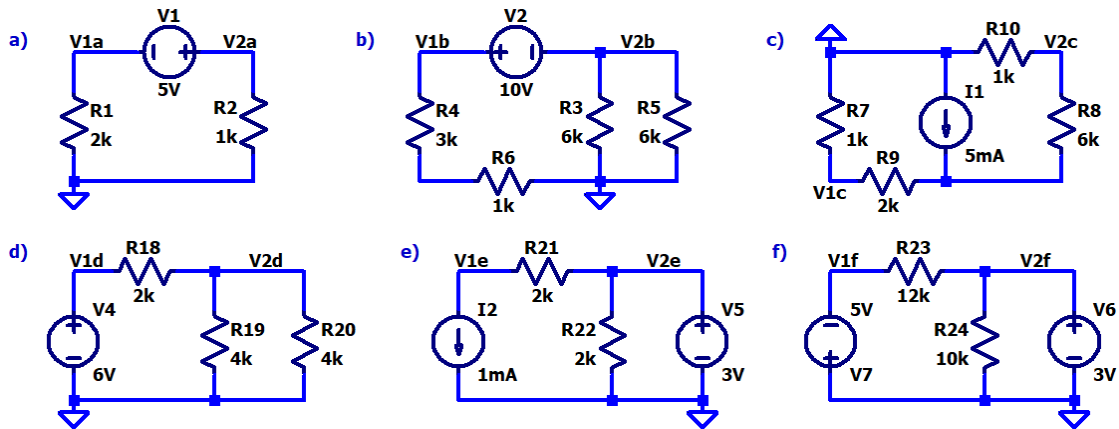


HW3 – Due Wednesday, February 2
EE220 – Circuits I
Spring 2022

To get full credit:

- Show your work.
- Put a box around each of your answers.
- Make sure to **follow all instructions**.

1. Determine the voltages labeled in the circuits given below. Verify your work using LTspice. (6 points)



2. Determine the voltages labeled in the circuit below. Verify your work using LTspice. (3 points)

