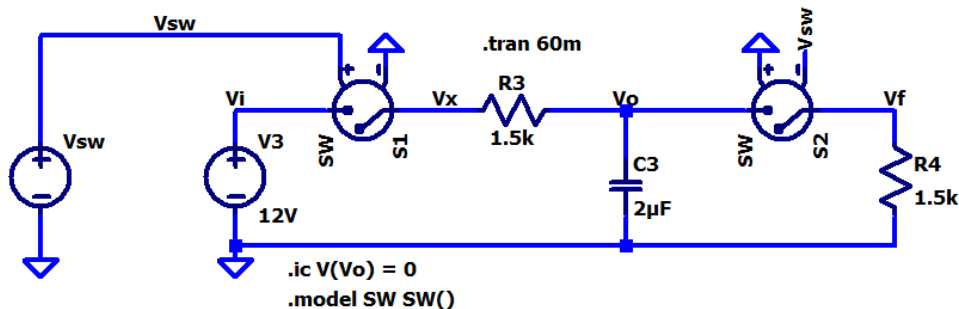


HW13 – Due Monday, April 4
EE220 – Circuits I
Spring 2022

To get full credit:

- Show your work.
- Put a box around each of your answers.
- Make sure to **follow all instructions**.

1. Sketch the waveforms (yes, by hand) for V_i , V_x , V_o , and V_f in the following circuit. Verify that your waveforms are correct using LTspice. (6 points)



For V_{sw} : PULSE(-1 1 10m 1n 1n 25m 50m)

2. Discuss the operation of the circuit from problem 1 in your own words. In your brief, written discussion, mention each of the four labeled voltages and explain their behavior (things like why they are rising/falling at certain times, etc.) (4 points)
3. Sketch the waveforms (yes, by hand) for V_{inA} , V_{outA} , V_{inB} , and V_{outB} in the following circuits. Verify that your waveforms are correct using LTspice. Note that the transient times are not given. It is your job to determine the correct transient times based on the sources' time delays and RC time constants. (6 points)

