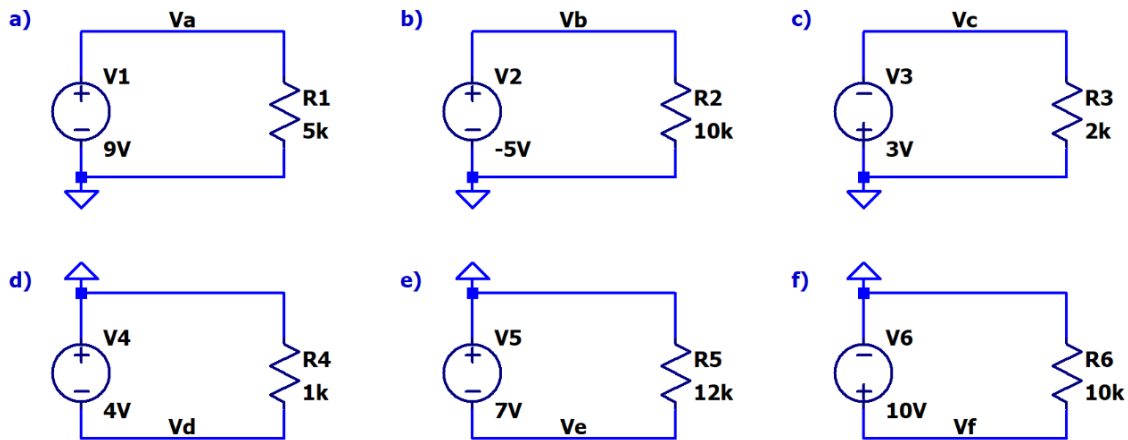


**HW1 – Due Wednesday, January 26**  
**EE220 – Circuits I**  
**Spring 2022**

To get full credit:

- Show your work.
- Put a box around each of your answers.
- Make sure to **follow all instructions**.

1. Determine the voltages labeled in the circuits below. For example, determine  $V_a$  in circuit a),  $V_b$  in circuit b), etc. Verify your work using LTspice. (3 points)



2. In the circuits from problem 1, determine the direction in which the current flows and label it on the given circuits using an arrow. Then, using Ohm's Law, determine how much current is flowing in each of the circuits. Verify your work using LTspice. (3 points)

3. Determine all the voltages labeled in the circuits below. Also, determine how much current is flowing in each of the circuits and label the direction of current flow. Verify your work using LTspice. (6 points)

