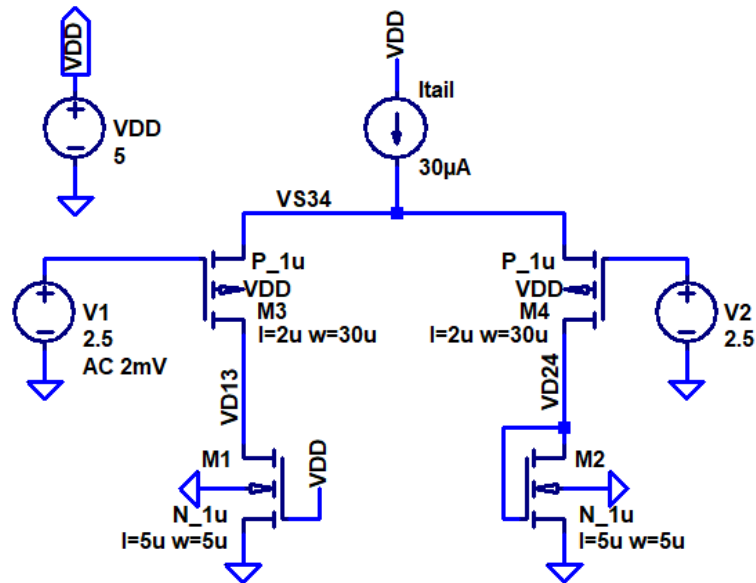


H.W. #5 EE 420/ECG 620 Spring 2020

Show your work for credit and put a box around each of your answers (follow the hw guidelines!) Unless otherwise indicated use the book's long-channel (1  $\mu\text{m}$ ) process.

- Hand calculate the AC currents and voltages in the following circuit (see DC calculations from HW #4). Compare your hand calculated values to LTspice simulations and comment on the differences. (4 points)



- Determine the AC and DC currents and voltages in the following circuit. Use LTspice to verify your hand calculations. (3 points)

