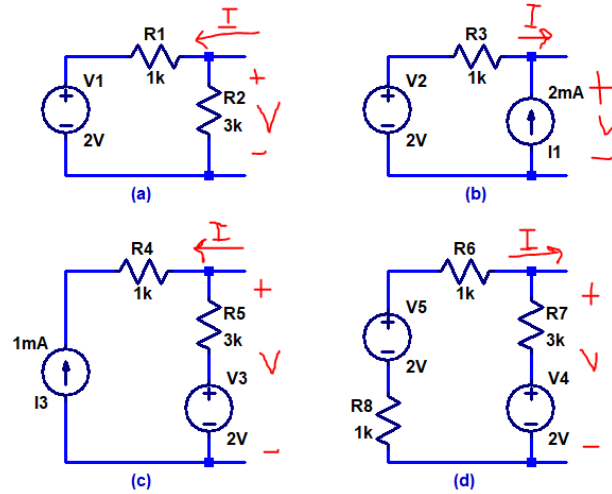


H.W. #1 EE 420/ECG 620 Spring 2020

Show your work for credit and put a box around each of your answers (follow the hw guidelines!)

- Plot the IV curves for the following circuits. Verify your hand calculations and sketches answers using an LTspice DC sweep. (4 points)



- Find the voltages and currents in each of the following circuits using hand calculations. Also find the gate-source (NMOS) or source-gate (PMOS) voltages. Compare your calculations to LTspice simulations. Note that the book's long channel MOSFET models are used. (4 points)

