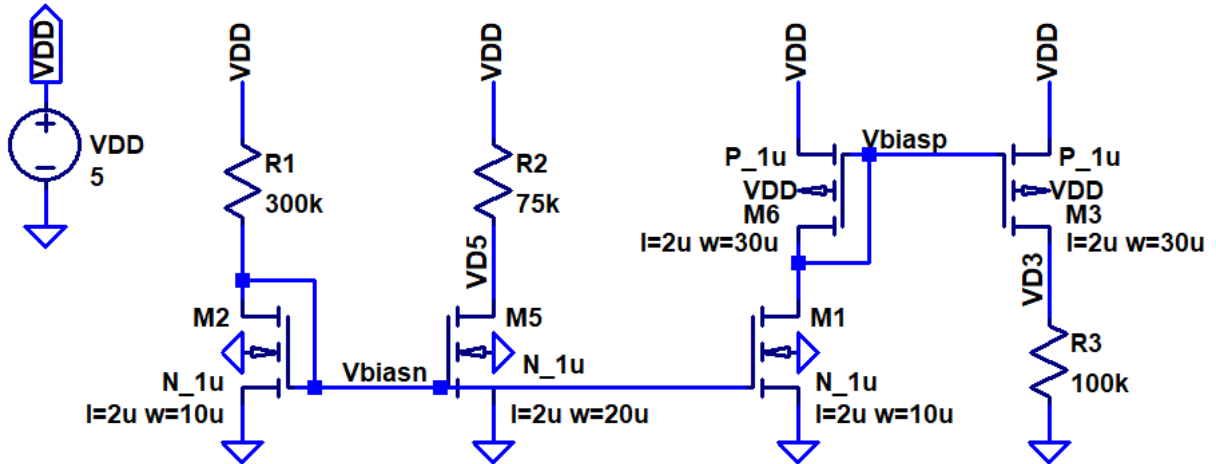


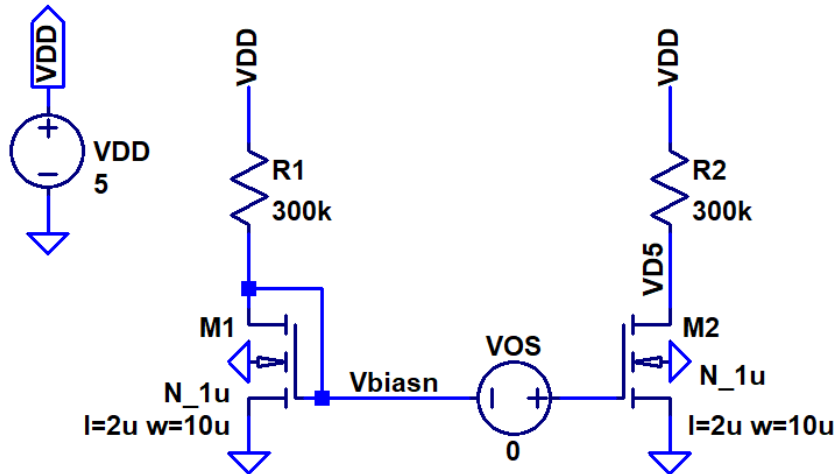
H.W. #7 EE 420/ECG 620 Spring 2019

Show your work for credit and put a box around each of your answers (follow the hw guidelines!) Unless otherwise indicated use the book's long-channel (1 μm) process.

- Hand calculate the DC currents and voltages in the following circuit. Compare your hand calculated values to LTspice simulations and comment. (4 points)



- To model a mismatch in a threshold voltage between M1 and M2 a small-valued voltage source may be put at the gate of M2 as seen below. Using LTspice simulations show, and discuss in your own words, how threshold voltage influences the currents in the basic current mirror. (2 points)



- If R2, in the circuit used in problem 1, is replaced with a 10 mV sinusoid at 1 kHz, estimate the resulting sinusoidal drain current in M5. Verify your hand calculated answer using transient simulations. (2 points)