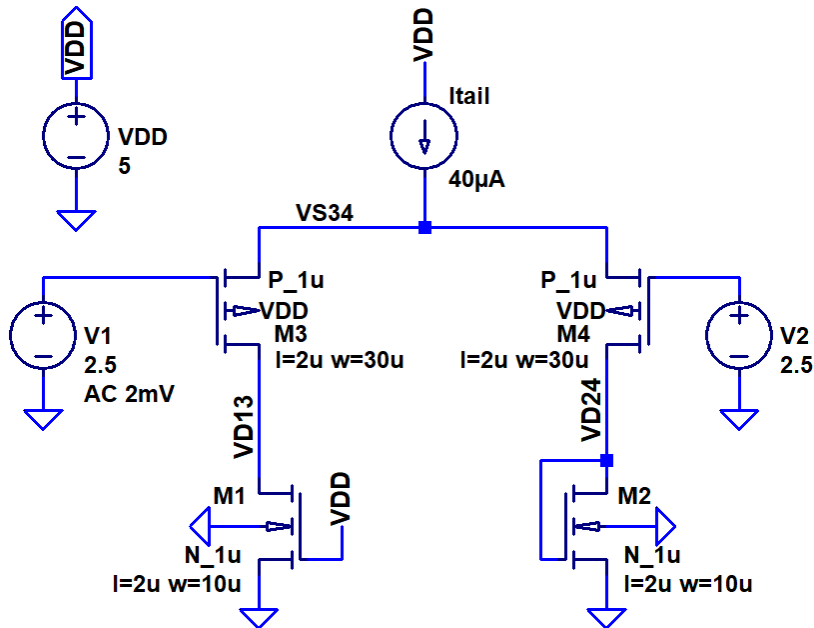


H.W. #5 EE 420/ECG 620 Spring 2019

Show your work for credit and put a box around each of your answers (follow the hw guidelines!) Unless otherwise indicated use the book's long-channel (1 μm) process.

1. Hand calculate the AC currents and voltages in the following circuit (see DC calculations from HW #4). Compare your hand calculated values to LTspice simulations and comment on the differences. (4 points)



2. Determine the AC and DC currents and voltages in the following circuit. Use LTspice to verify your hand calculations. (3 points)

