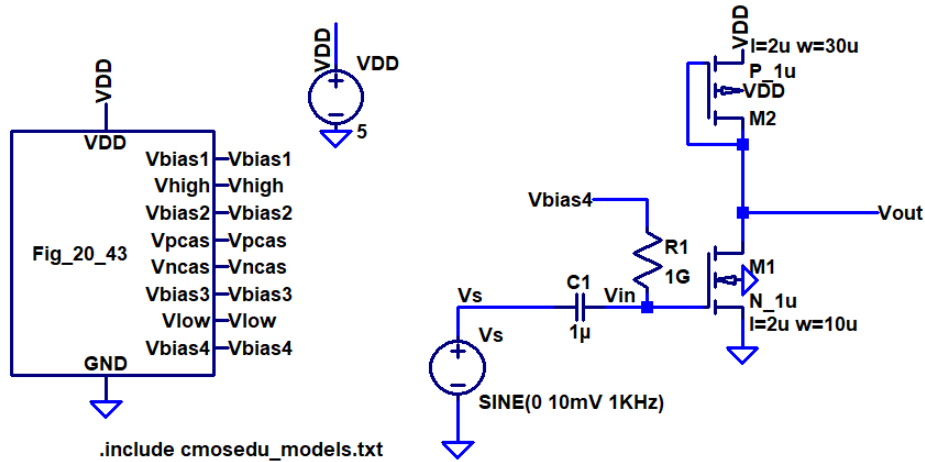


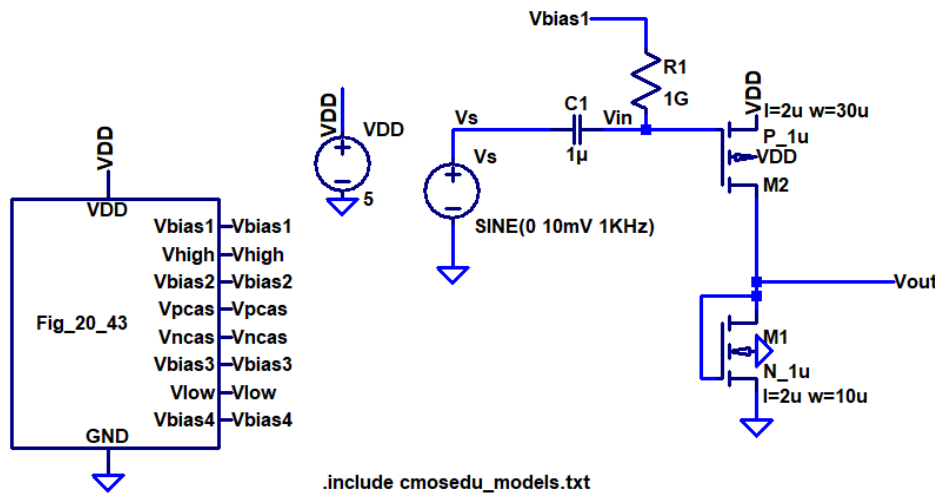
H.W. #12 EE 420/ECG 620 Spring 2019

Show your work for credit and put a box around each of your answers (follow the hw guidelines!) Unless otherwise indicated use the book's long-channel (1 μm) process.

1. Determine the AC current and voltages in the following circuit. Verify your hand calculations using LTspice (3 points)



2. Determine the AC current and voltages in the following circuit. Verify your hand calculations using LTspice (3 points)



3. Replace the gate-drain connected transistors in the above schematics with a 100k resistor and determine the output voltage, both DC and AC. Verify your answers with LTspice. (4 points)