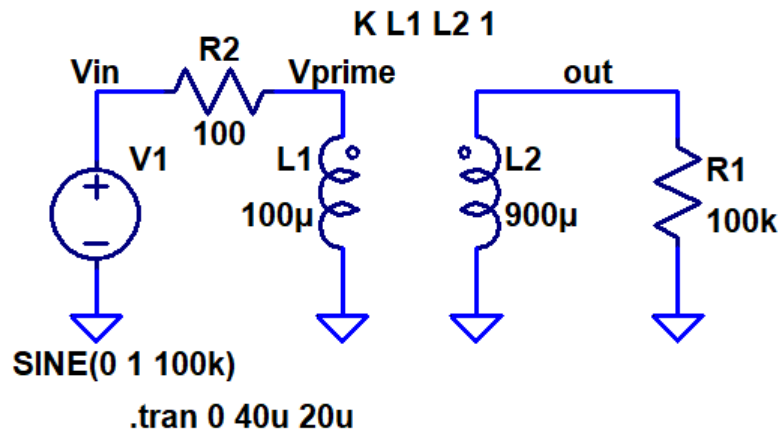


H.W. #20 EE 221 Spring 2021

Show your work for credit and put a box around each of your answers (follow the hw guidelines!)

1. Find the voltages and currents in the following circuit. Verify your all of your hand calculations using LTspice. (5 points)



2. What is the average power delivered to R1 in the above circuit? Verify your answer using LTspice. Compare to the power supplied by  $V_{in}$ . Where does the difference go in the circuit (what else heats up?). (3 points)