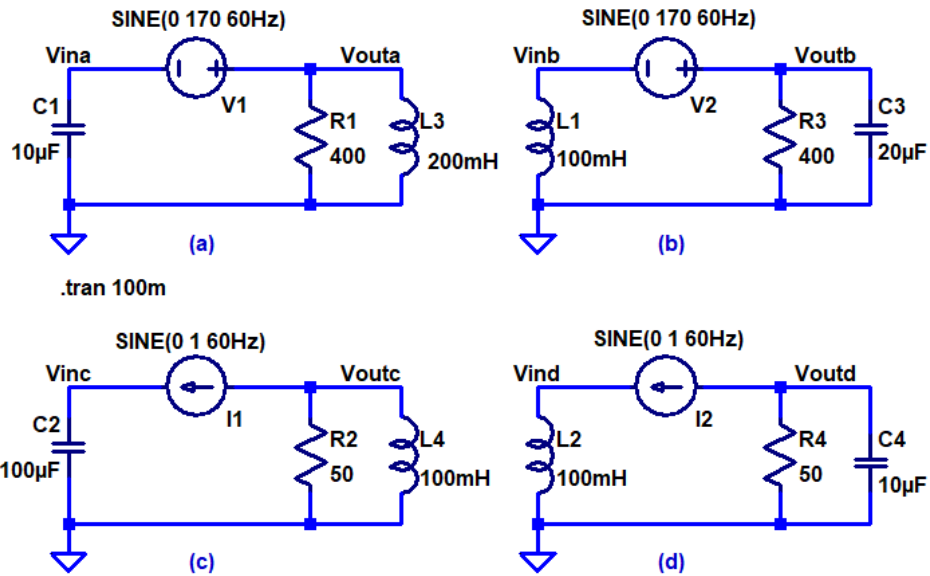


H.W. #9 EE 221 Spring 2019

Show your work for credit and put a box around each of your answers (follow the hw guidelines!)

1. Work book problems 8.23 and 8.26. (2 points each)
2. For each of the circuits from HW #8 seen below determine the average power dissipated by the resistor. Verify your answer using LTspice. (8 points)



3. Work book problem 8.31. Verify your answer using LTspice. (4 points)