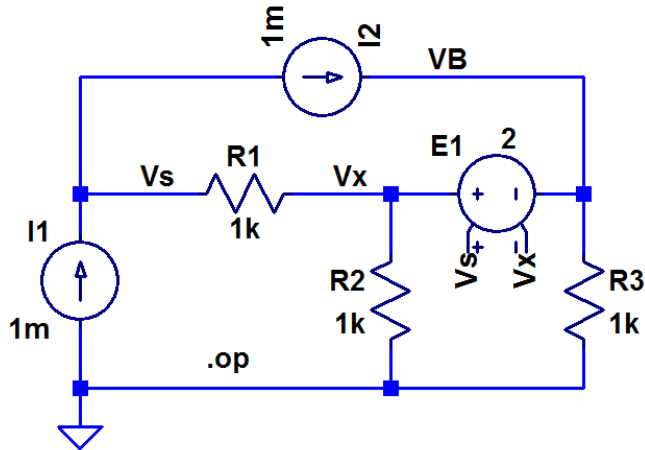
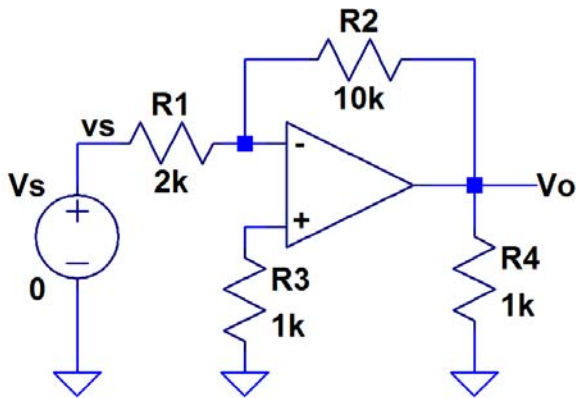


H.W. #8 EE 220 Summer 2014

1. Determine the voltage V_B in the following circuit.



2. Plot V_o in the following circuit for V_s between -1 and 1 V. Use LTspice to verify your hand-drawn plot. Again, show your hand calculations for credit



3. Repeat problem 2 for the following.

