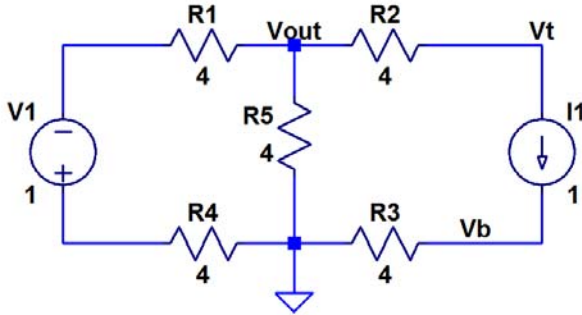
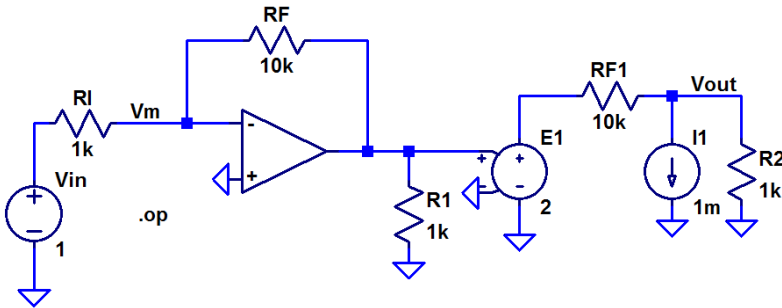


H.W. #16 EE 220 Summer 2014

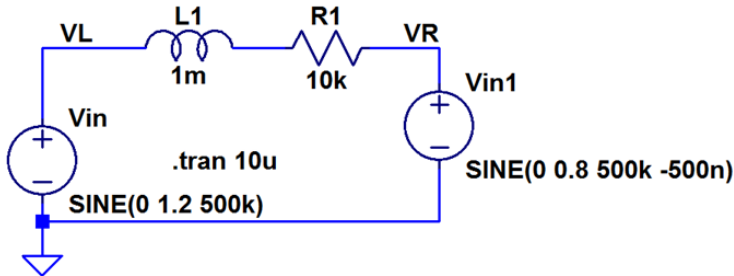
- Find the current that flows in R1 and the voltages Vout, Vt, and Vb in the following circuit. Verify your answer with LTspice.



- Find Vout in the following circuit and verify with LTspice.



- Find the AC current that flows in the following circuit and verify with LTspice.



- Write equations for Vout in each of the following circuits and then sketch the output voltage and current in each circuit against time. Verify with LTspice.

