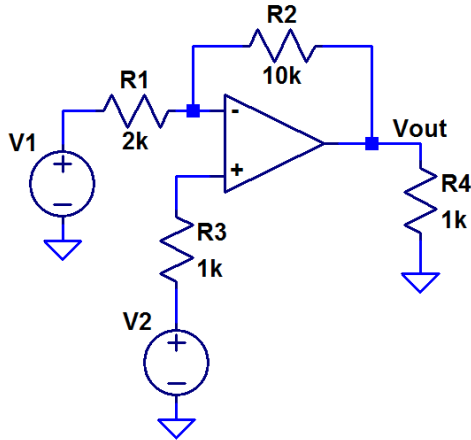
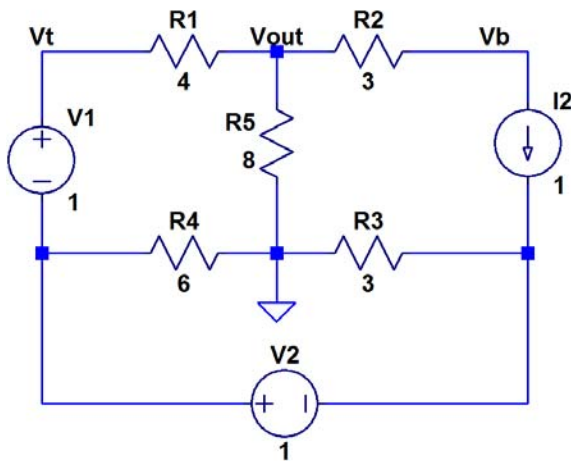


H.W. #12 EE 220 Summer 2014

1. Find V_{out} in terms of V_1 and V_2 in the following circuit. Verify your answer using LTspice.



2. Find out V_{out} in the following circuit. Verify your hand calculations using LTspice.



3. Sketch the input and output of the following circuit. Show your detailed hand calculations and use LTspice to verify your answers.

