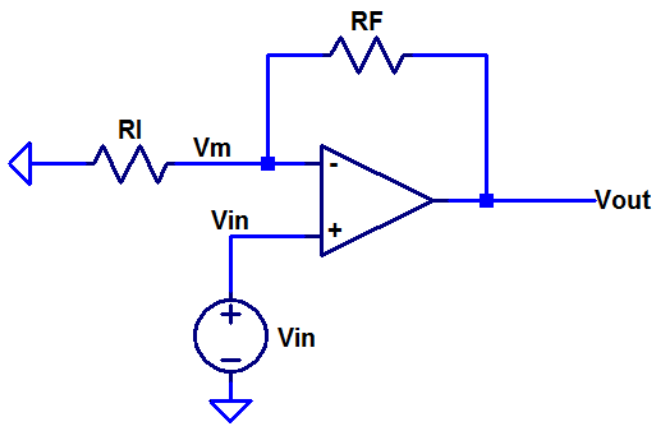
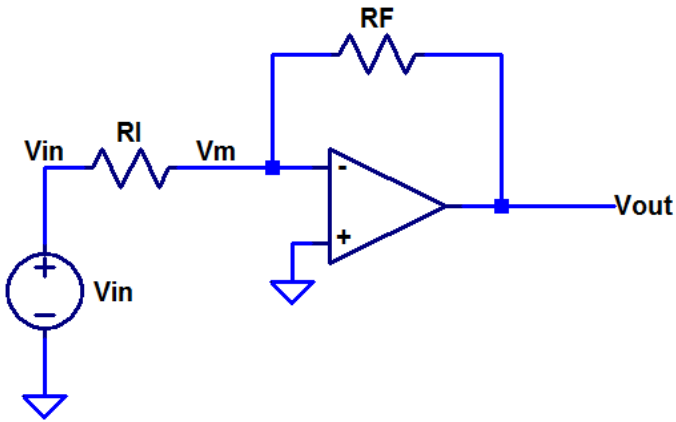


H.W. #11 EE 220 Summer 2014

1. Show how to determine the gain of the following two circuits.



2. Sketch the input and output of the following circuit. Show your detailed hand calculations and use LTspice to verify your answers.

