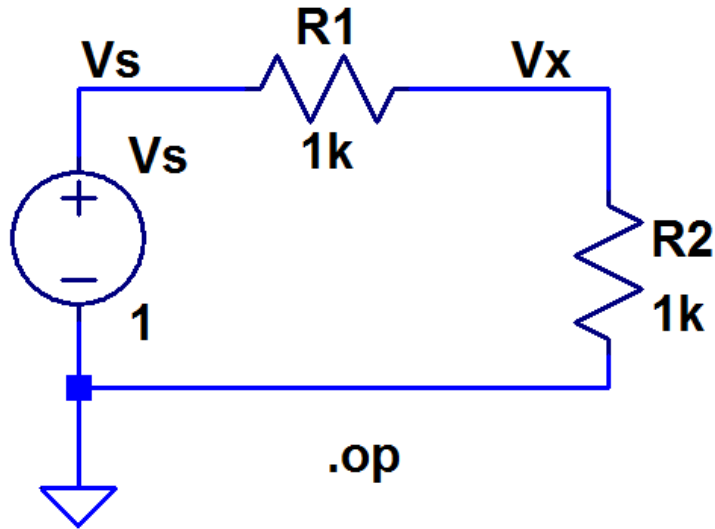


H.W. #1 EE 220 Summer 2014

1. Find the voltages V_s , V_x , and the voltages across both R_1 and R_2 . Find the current flowing in the circuit. Verify your answers with LTspice.



2. Repeat problem 1 for the following circuit.

