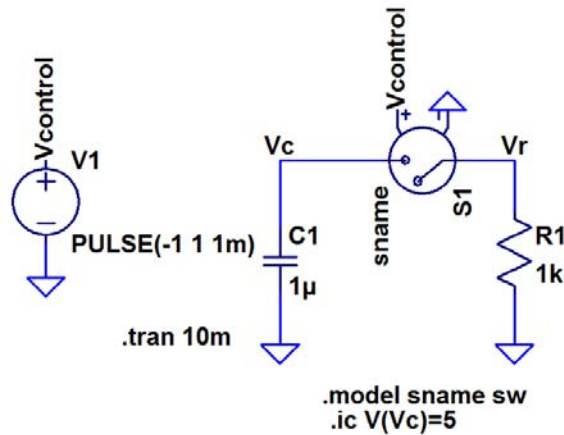
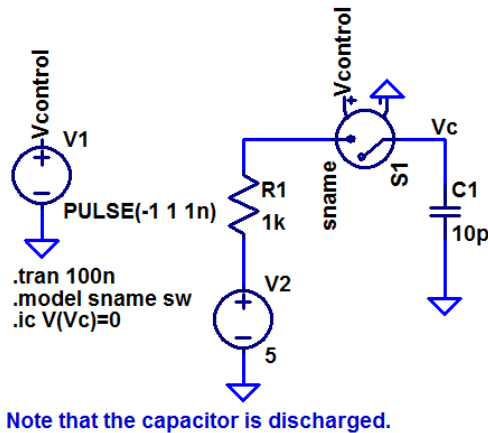


Show your work for credit!

- Hand calculate V_c and V_r in the following circuit. Compare your hand calculations to simulation results. Note that the switch closes at 1 ms. Make sure you understand how to use switches since we'll use them often. (4 points)



- Write the equation describing the voltage across the capacitor in the following circuit. Use LTspice to verify your answer. (3 points)



- Write the equations describing the voltage across the capacitor, V_c , in the following circuit for both the rising and falling edges of the input pulse. Again, use LTspice to verify your answer. (3 points)

