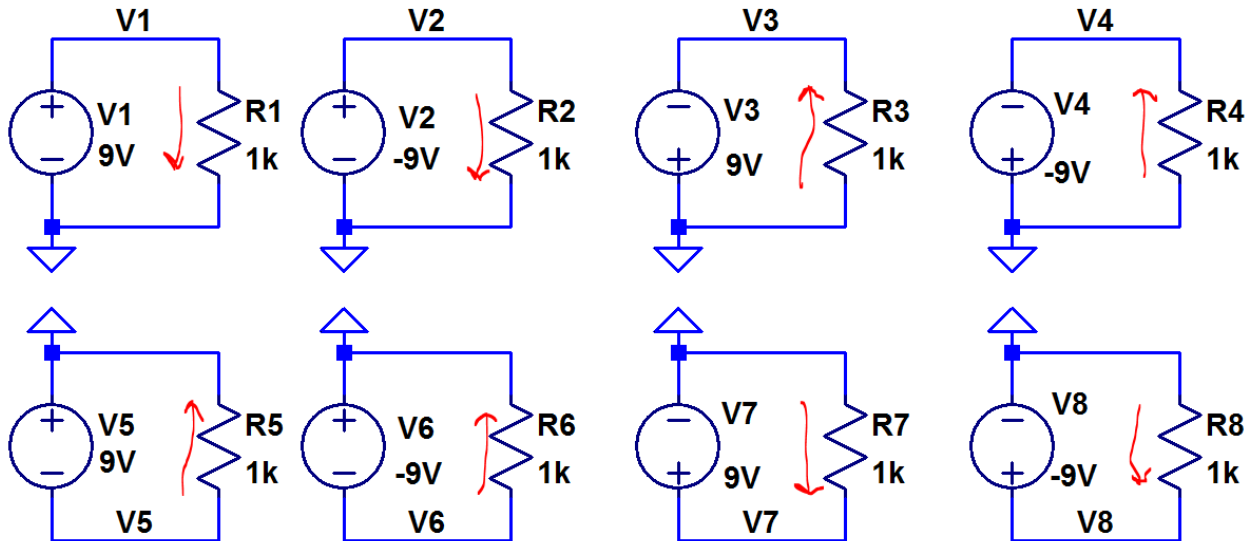


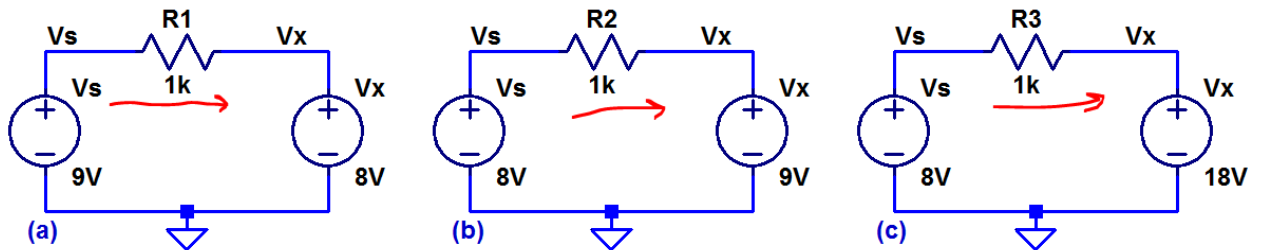
H.W. #1 EE 220 Spring 2017

Show your work for credit and put a box around each of your answers!

1. What are V1-V8, in each of the following circuits? It's okay to simply write your answer next to each circuit schematic. (0.5 points each)



2. What is the current flowing in the preceding circuits? Give answers for the current flowing in the directions indicated on each schematic. (0.5 points each)
3. Find the current flowing in the following circuits in the directions indicated. Verify your answers using LTspice. (3 points)



4. Find the voltages V_s , V_x , and the voltages across both R1 and R2. Find the current flowing in the circuit. Verify your answers with LTspice. (4 points)

