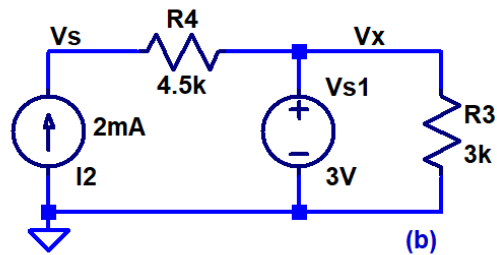
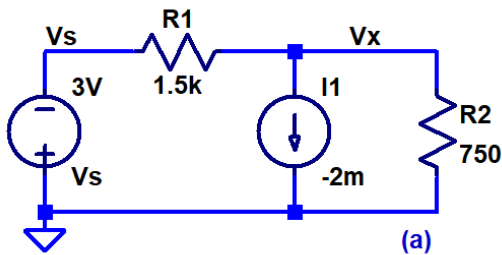
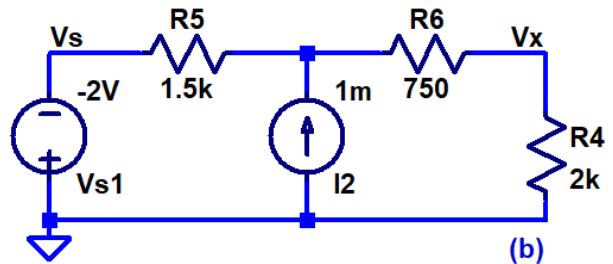
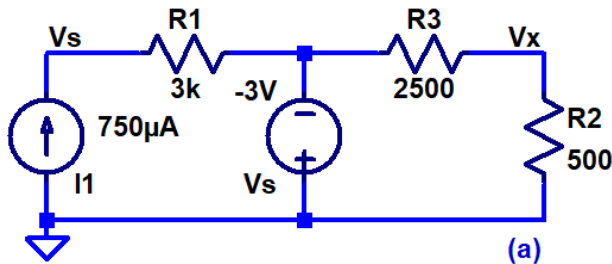


Show your work for credit and put boxes around your answers!

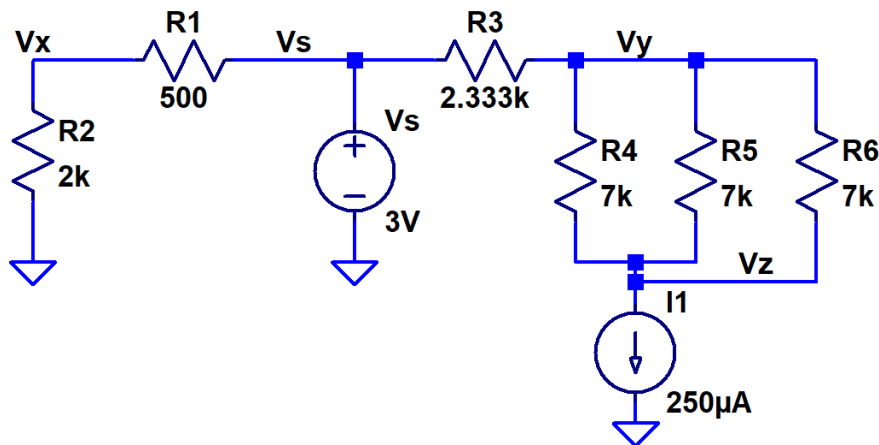
- Find the voltages  $V_x$  and  $V_s$  in each of the following circuits. Verify your hand calculations using LTspice. (4 points)



- Find the voltages  $V_x$  and  $V_s$  and the current through  $V_s$  in each of the following circuits. Verify your hand calculations using LTspice. (6 points)



- Find the voltages in the following circuit. Verify your hand calculations using LTspice. (6 points)



- Write, using a text editor, the spice netlist for the circuit in problem 3. Verify your netlist is correct with LTspice. (3 points)