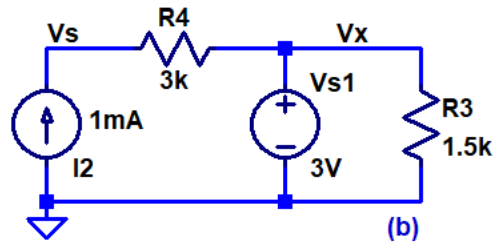
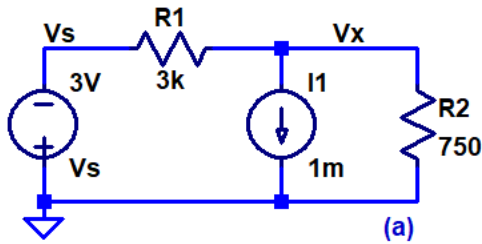
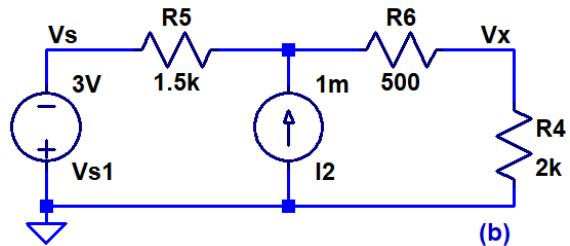
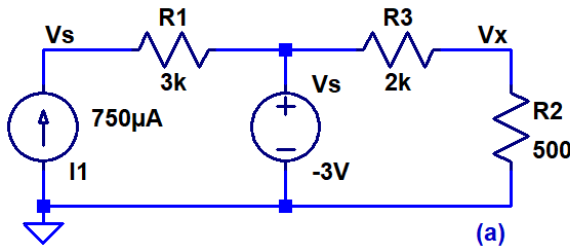


Show your work for credit and put boxes around your answers!

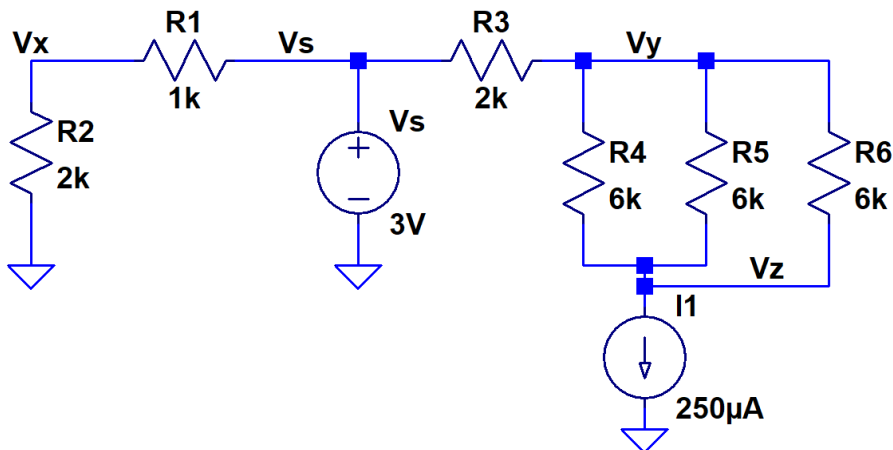
- Find the voltages V_x and V_s in each of the following circuits. Verify your hand calculations using LTspice. (4 points)



- Find the voltages V_x and V_s and the current through V_s in each of the following circuits. Verify your hand calculations using LTspice. (6 points)



- Find the voltages in the following circuit. Verify your hand calculations using LTspice. (6 points)



- Write, using a text editor, the spice netlist for the circuit in problem 3. Verify your netlist is correct with LTspice. (3 points)