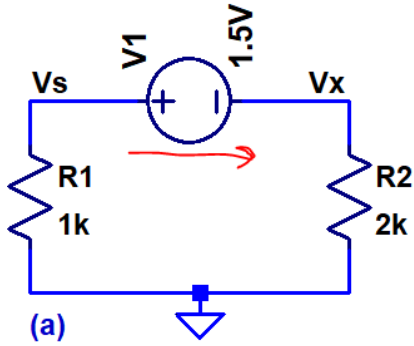


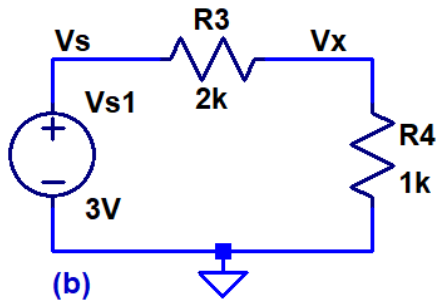
Closed book and notes.

Show your work for credit and **put boxes around your answers**.

1. Determine the current through the voltage source in the direction indicated. (2 points)



2. Find V_x in the following circuit. Again, show your work for credit. (2 points)



3. Find V_x and the current through R_6 in the following circuit. (2 points)

