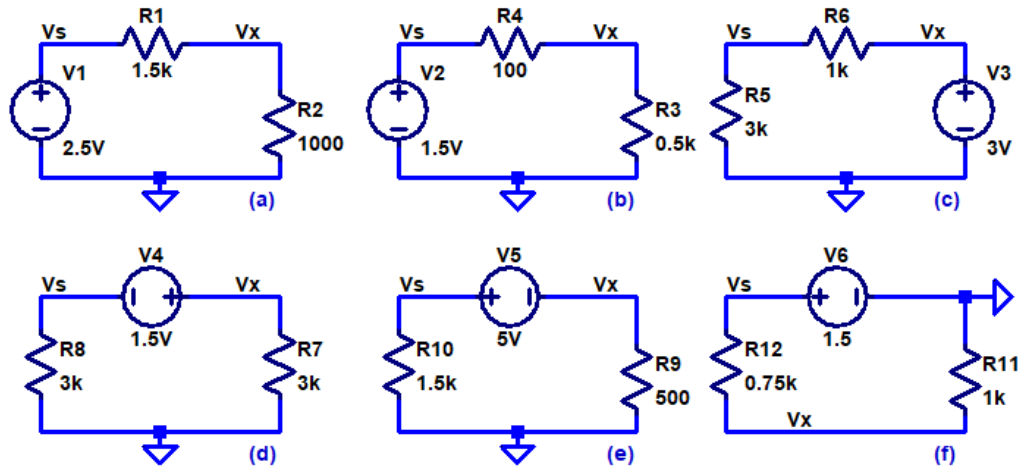
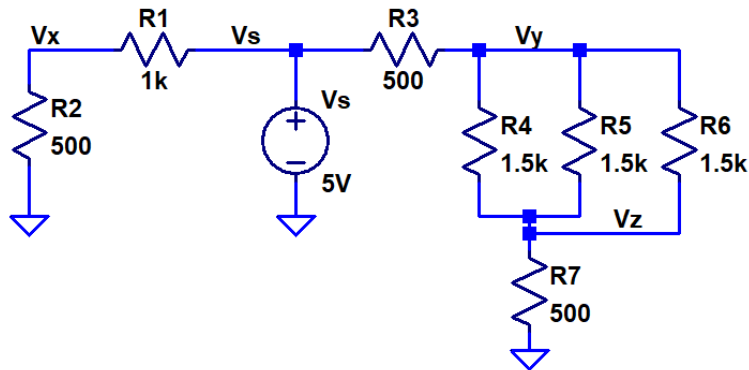


Show your work for credit and put a box around each of your answers!

- Find the voltages V_x and V_s as well as the currents (assume a clockwise direction) flowing in each of the following circuits. Verify your hand calculations using LTspice. (9 points)



- Find the voltages in the following circuit. Verify your hand calculations using LTspice. (6 points)



- Show how to derive the voltage divider equation and the current divider equation for a two-resistor circuit. Ensure your derivation includes the two schematics you are using. Provide an example for each derivation. (4 points)
- Find the voltage across R_1 , as indicated, in the following circuit. Verify your answer using LTspice. (2 points)

