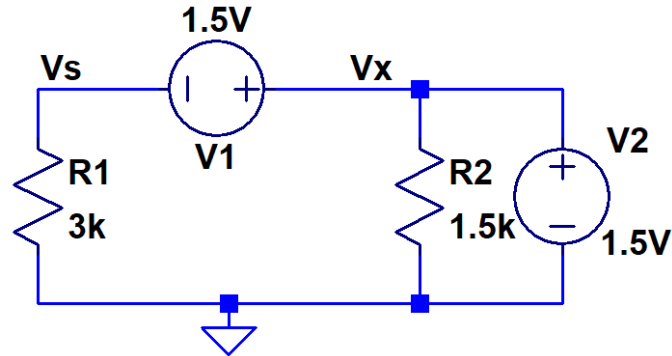


H.W. #2 EE 220 Fall 2020

Show your work for credit and place a box around each of your answers!

- Determine the voltage and currents in the following circuit. Use simulations to confirm your hand calculations. (3 points)



- Find the voltages and currents in each of the following circuits. Verify your answers with LTspice. (9 points)

