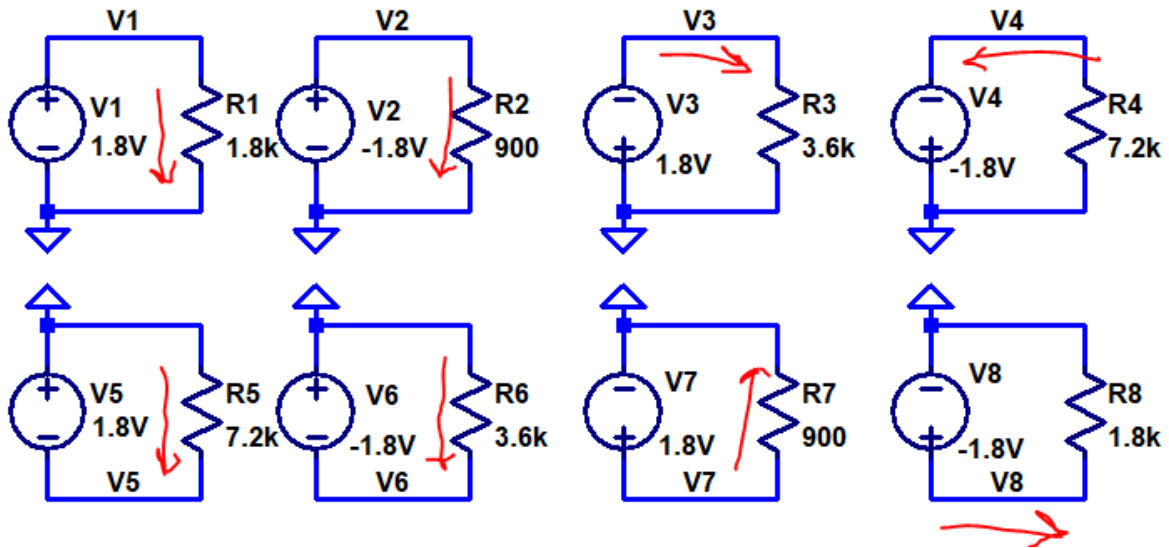


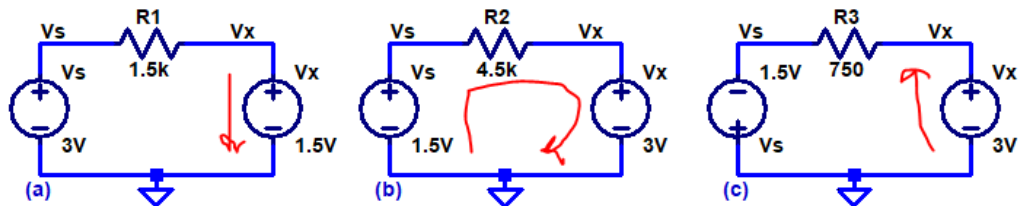
H.W. #1 EE 220 Fall 2020

Show your work for credit and put a box around each of your answers!

- What are V1-V8, in each of the following circuits? It's okay to simply write your answer next to each circuit schematic. (0.5 points each)



- What is the current flowing in the preceding circuits? Give answers for the current flowing in the directions indicated on each schematic. (0.5 points each)
- Find the current flowing in the following circuits in the directions indicated. Verify your answers using LTspice. (3 points)



- Find the voltages  $V_s$ ,  $V_x$ , and the voltages across all resistors. Find the current flowing in each circuit. Verify your answers with LTspice. (4 points)

