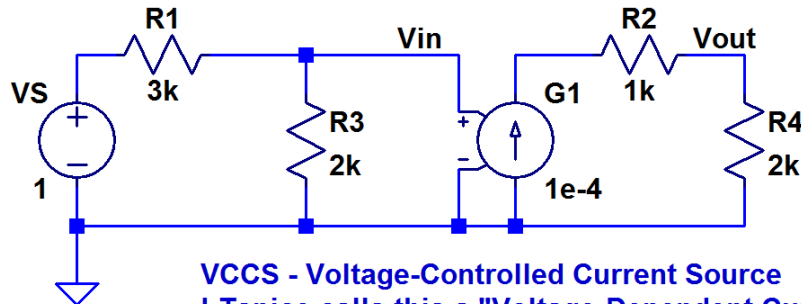
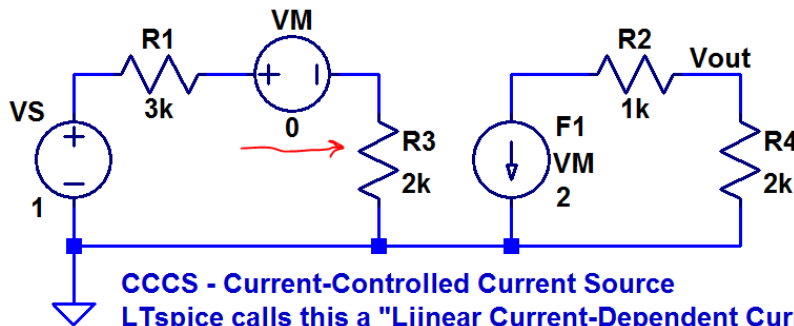


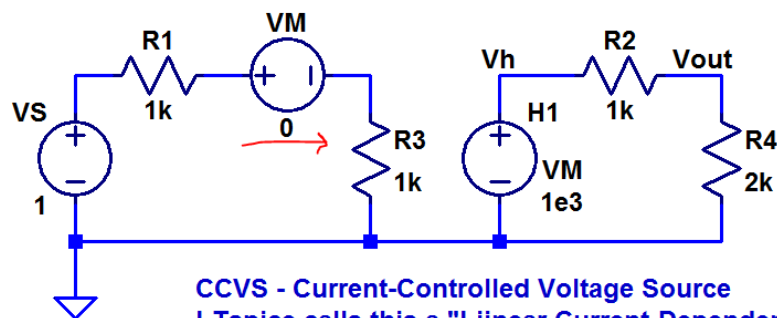
VCVS - Voltage-Controlled Voltage Source
 LTspice calls this a "Voltage-Dependent Voltage Source"
 The part is e or e2 (flips the control terminal polarity)
 Output voltage = Gain*(Input voltage), here $V_e = 2*V_{in}$



VCCS - Voltage-Controlled Current Source
 LTspice calls this a "Voltage-Dependent Current Source"
 The part is g or g2 (flips the control terminal polarity)
 Current through G1 = Gain*(Input voltage), here $I = 1e-4*V_{in}$



CCCS - Current-Controlled Current Source
 LTspice calls this a "Linear Current-Dependent Current Source"
 The part is f
 Current through F1 = Gain*(reference current), here $I = 2*(\text{current through VM})$
 SPICE defines positive current flow as flowing from + to -



CCVS - Current-Controlled Voltage Source
 LTspice calls this a "Linear Current-Dependent Voltage Source"
 The part is h
 Voltage across H1 = Gain*(Reference Current), here $V_h = 1e3*(\text{current through VM})$
 SPICE defines positive current flow as flowing from + to -