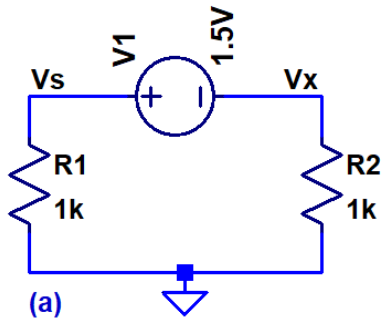


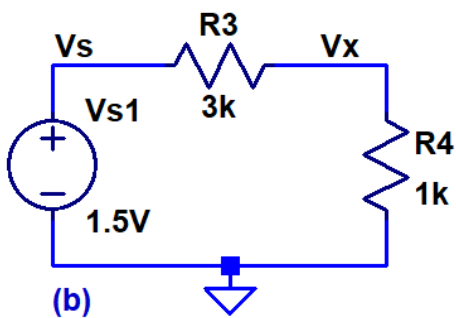
Open book and closed notes.

Show your work for credit and put boxes around your answers.

1. Determine the current through R2. (2 points)



2. Find V_x in the following circuit. Again, show your work for credit. (2 points)



3. Find V_x and the current through R6 in the following circuit. (2 points)

