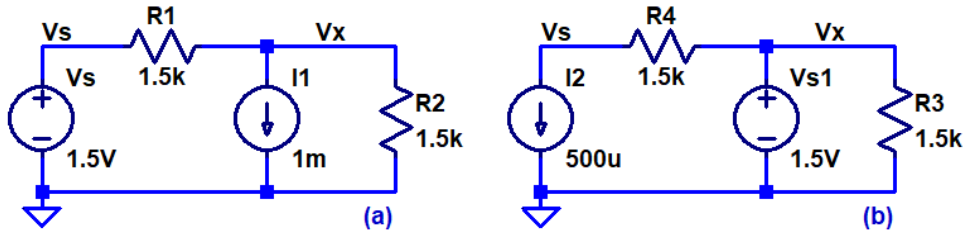


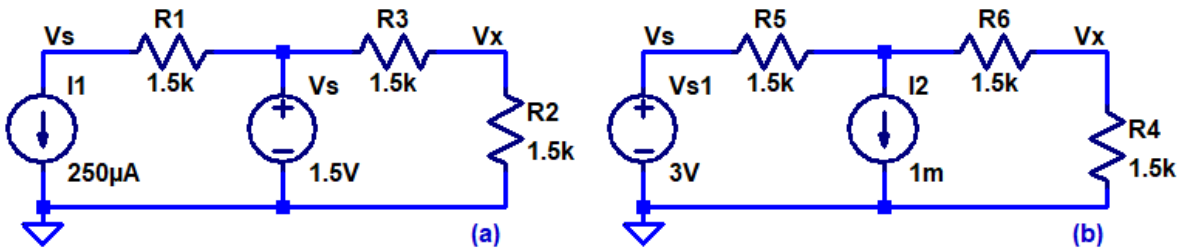
H.W. #4 EE 220 Fall 2018

Show your work for credit and put boxes around your answers!

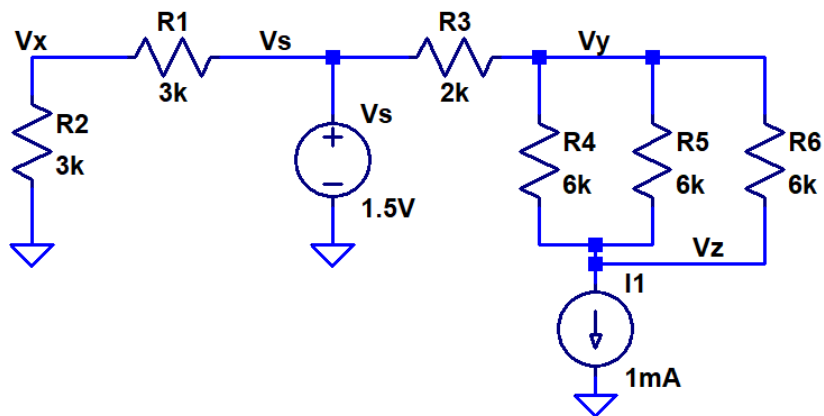
1. Find the voltages V_x and V_s in each of the following circuits. Verify your hand calculations using LTspice. (4 points)



2. Find the voltages V_x and V_s and the current through V_s in each of the following circuits. Verify your hand calculations using LTspice. (6 points)



3. Find the voltages in the following circuit. Verify your hand calculations using LTspice. (6 points)



4. Book problem 2.31. Verify your answers with LTspice. (3 points)