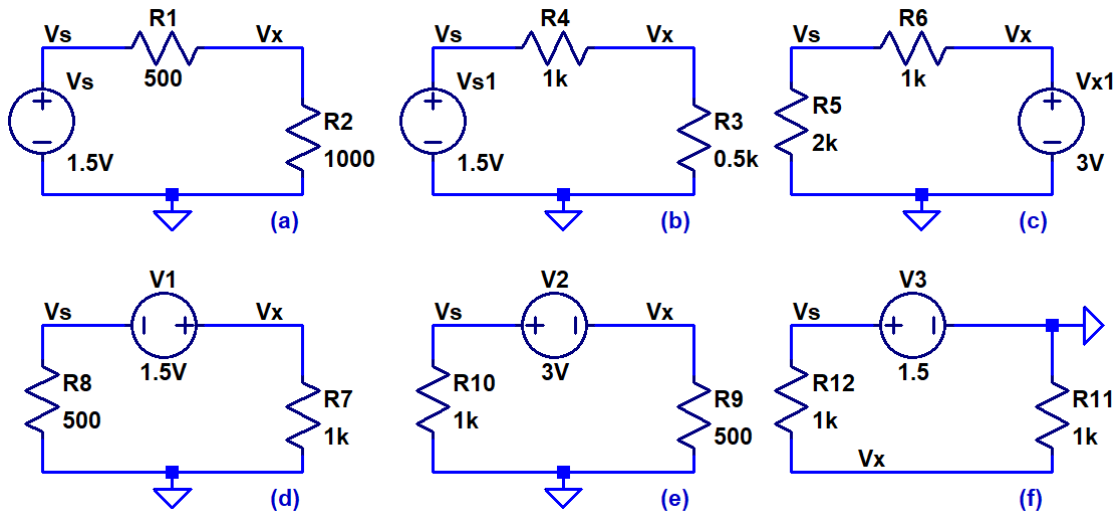
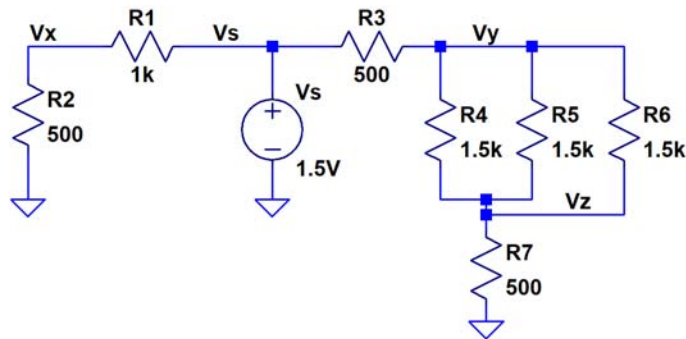


Show your work for credit and put a box around each of your answers!

1. Find the voltages V_x and V_s in each of the following circuits. Verify your hand calculations using LTspice. (6 points)



2. Find the voltages in the following circuit. Verify your hand calculations using LTspice. (6 points)



3. Show how to derive the voltage divider equation and the current divider equation for a two-resistor circuit. Ensure your derivation includes the two schematics you are using. Provide an example for each derivation. (4 points)
4. Calculate V_s , V_x , and the current that flows in R_2 and R_3 . Verify your hand calculations using LTspice. (4 points)

