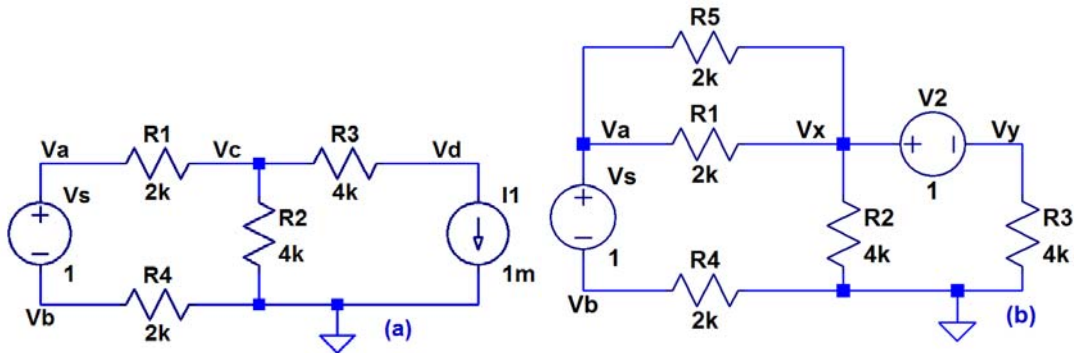


Show your work for credit!

- Find the voltages and currents in the following two circuits. Verify your hand-calculated answers using LTspice. (4 points)



- Find V_{out} in each of the following circuits. Verify your hand-calculated answers using LTspice. (8 points)

