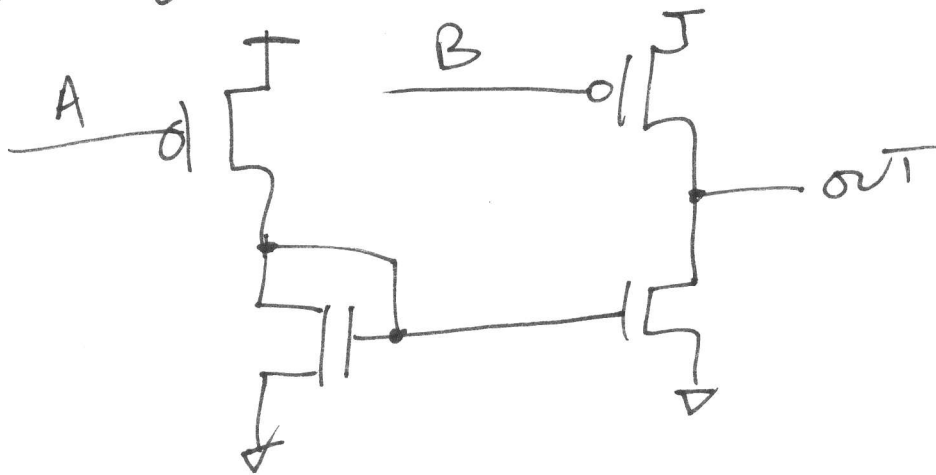
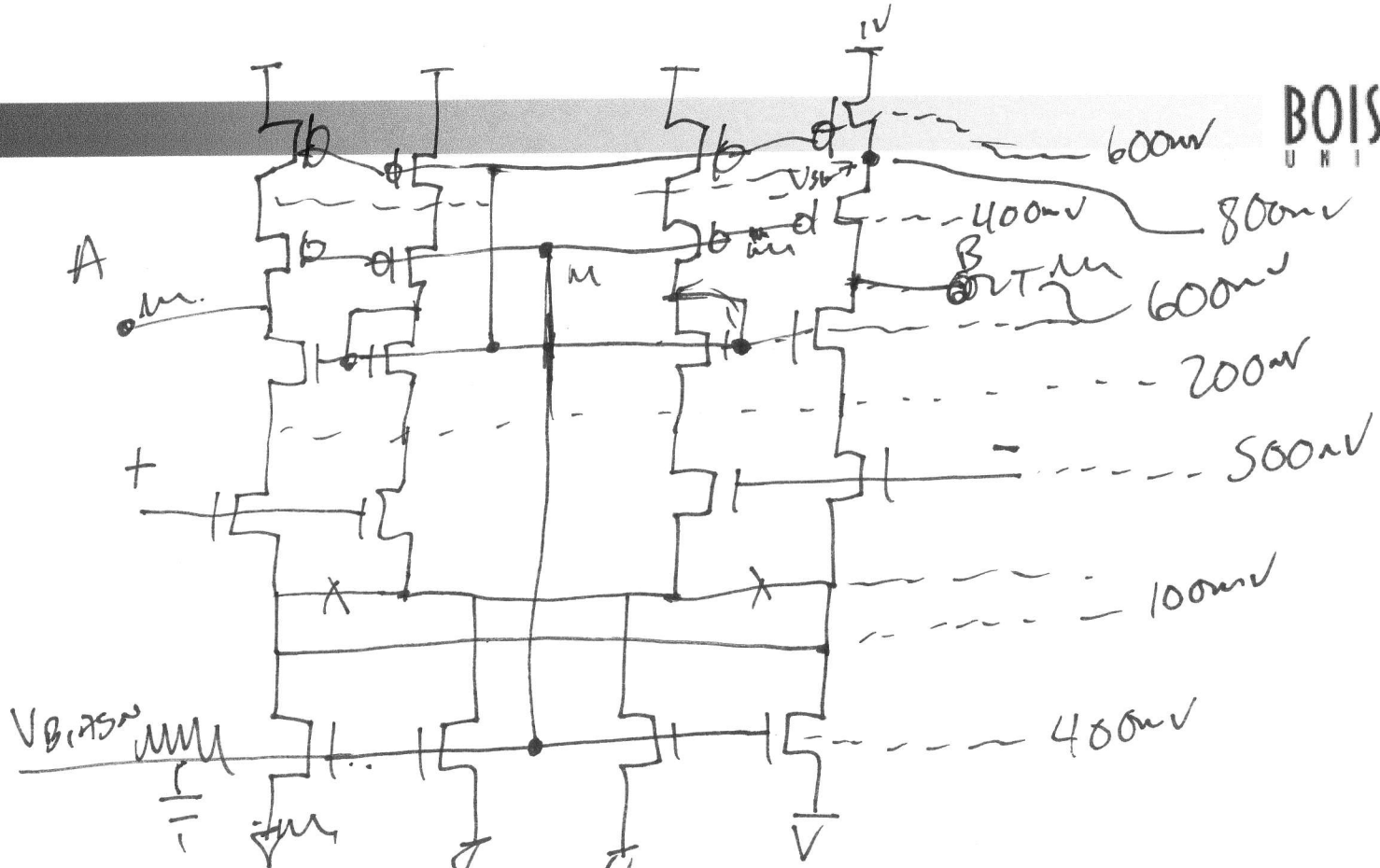


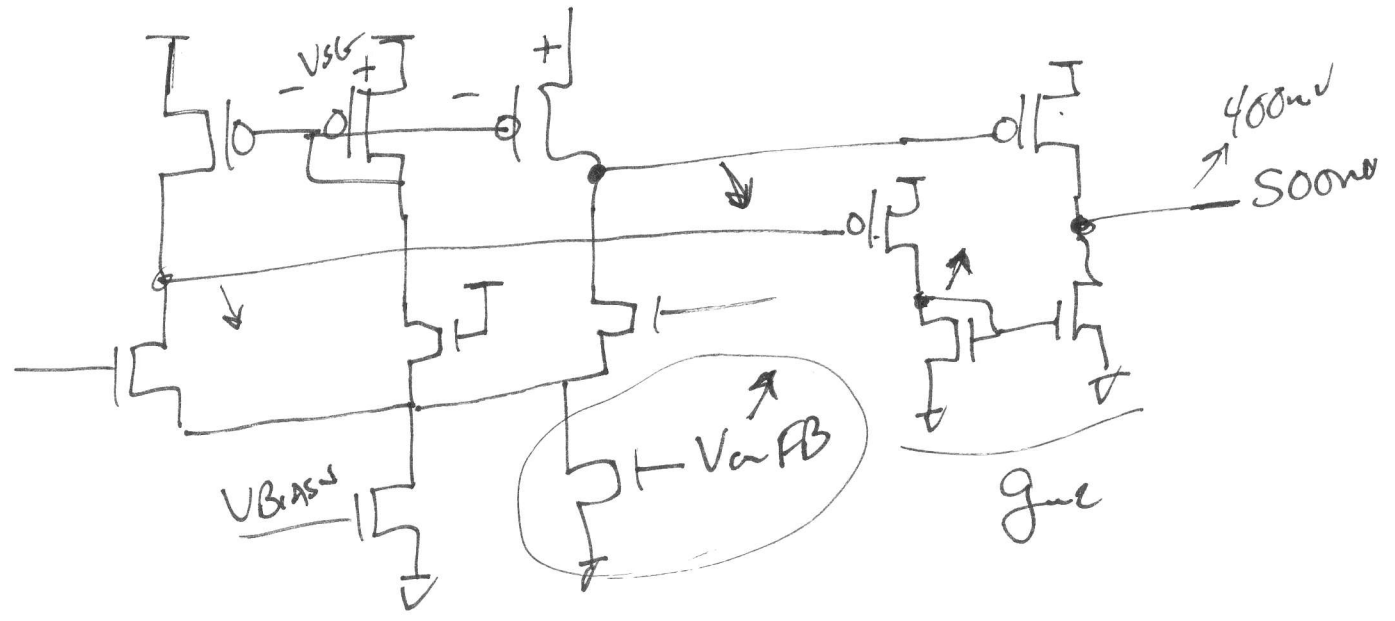
Fig 26.18

$$g_m = 150 \mu\text{A/V}$$

$$r_o = 25 \text{ k}\Omega$$

$$g_m r_o = 4 \dots$$





3)

