

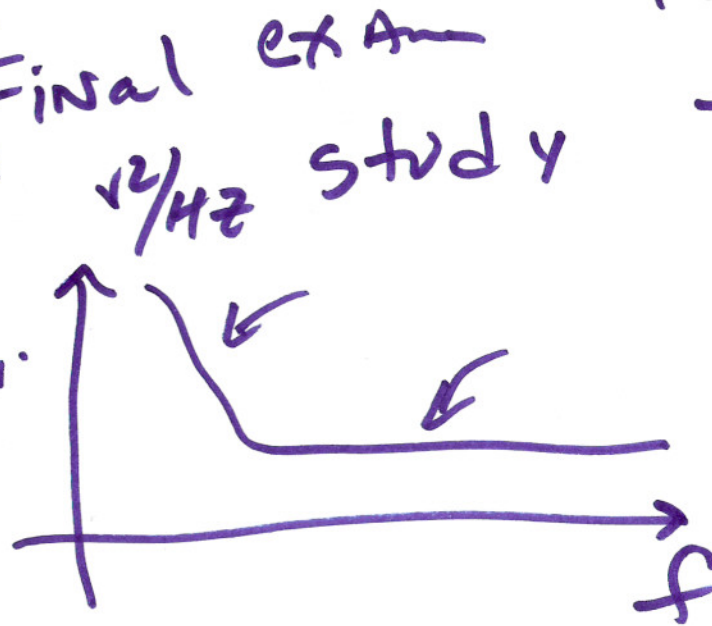
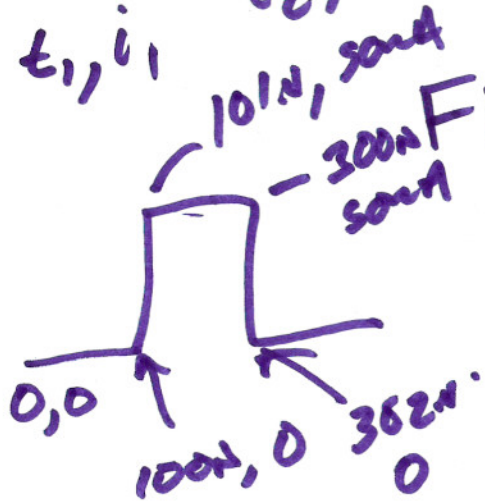
Lecture 26 ECE 5/411

CMOS Analog IC Design

DPC. 9, 2009

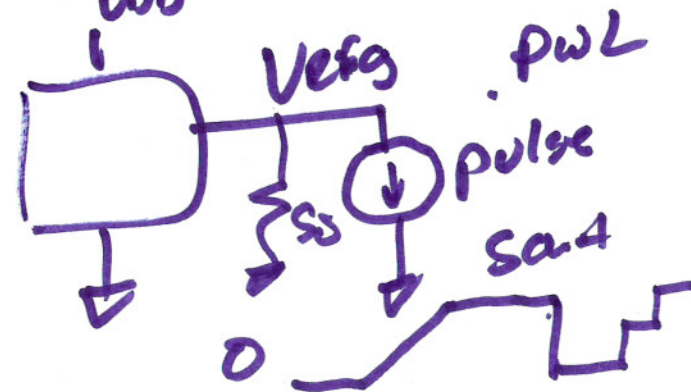
Projects due on Friday
email before 6 pm
Report PDF

$t_{1,i1}$ $t_{2,i2}$ $t_{3,i3}$

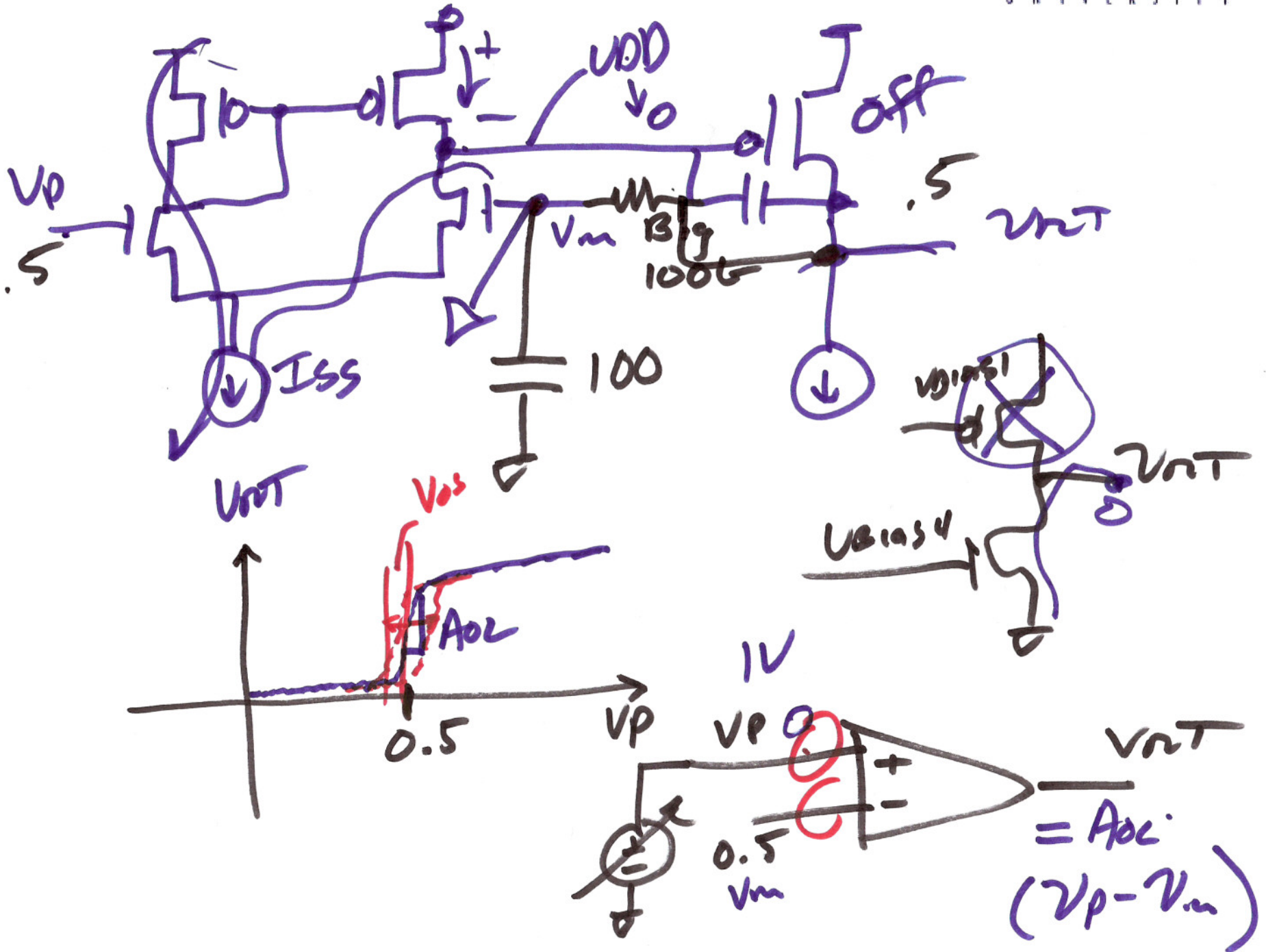


TESTS 1 & 2

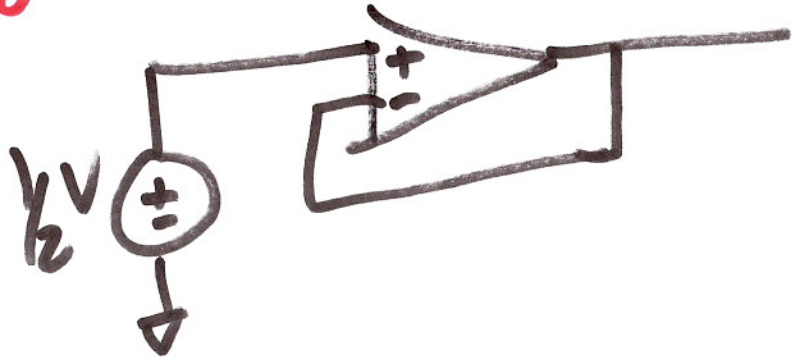
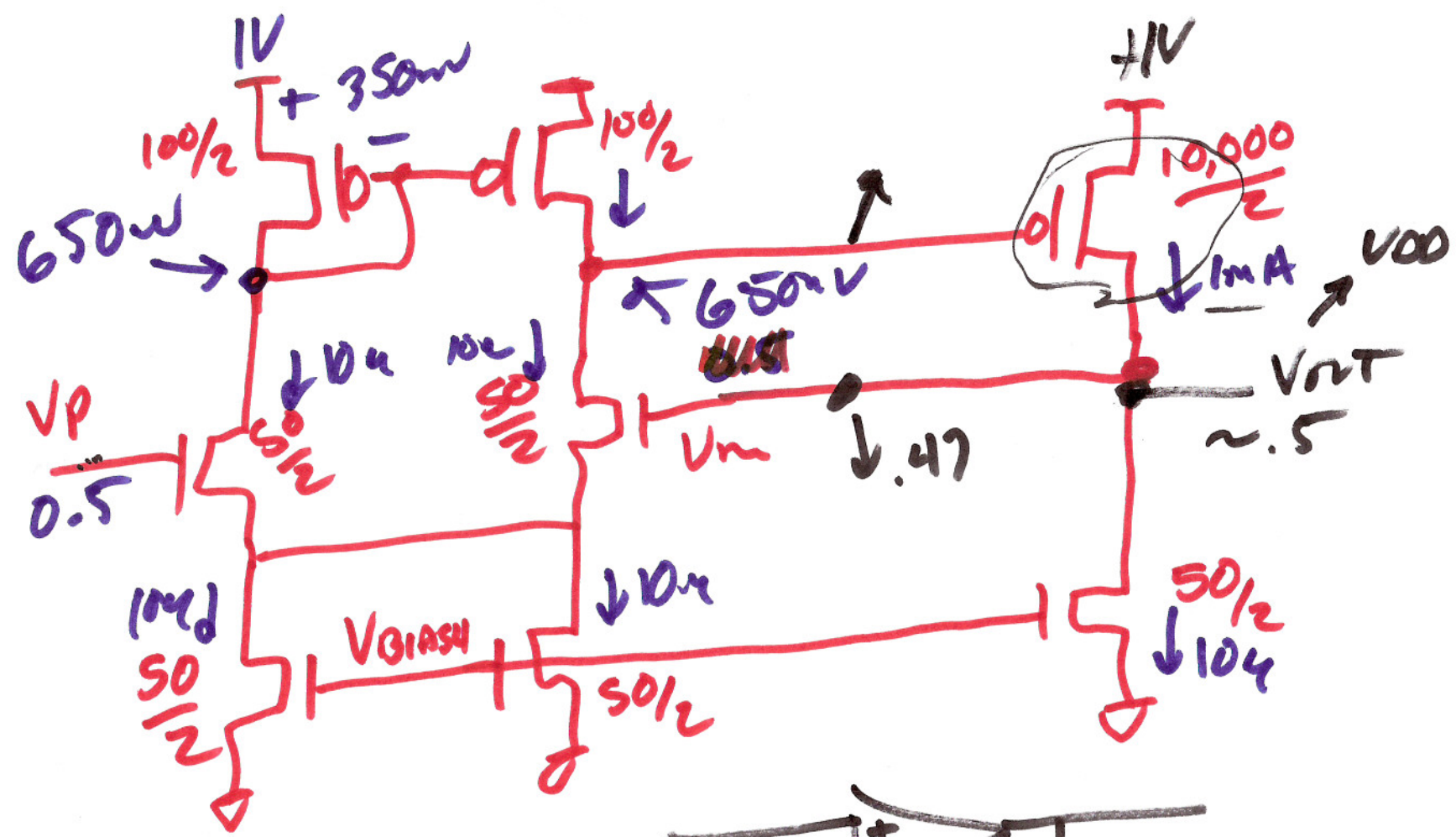
H.W. examples from the book



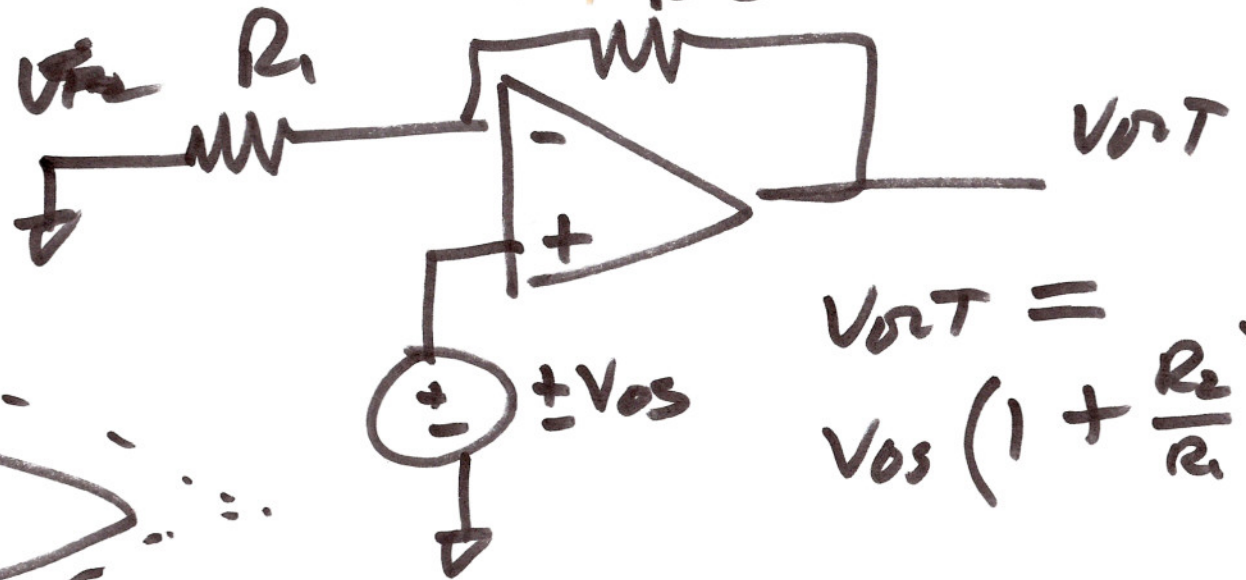
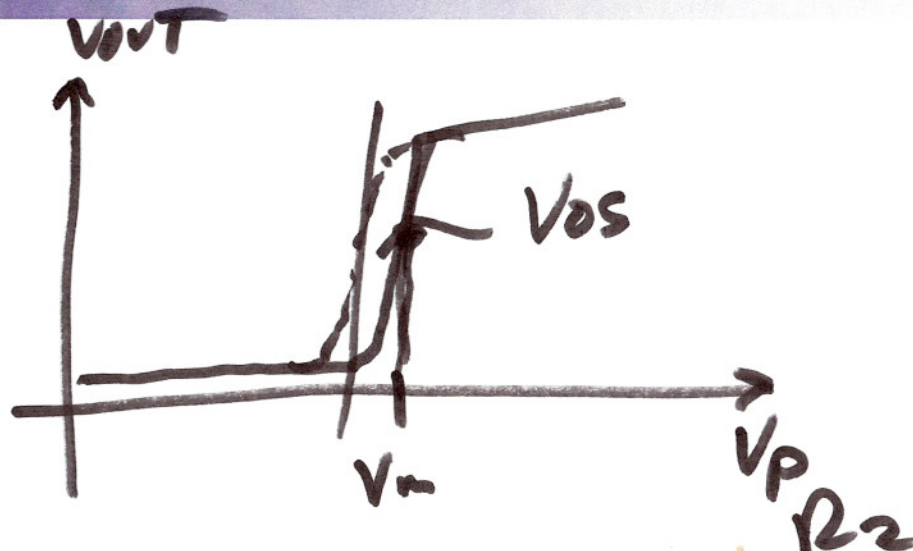
1)



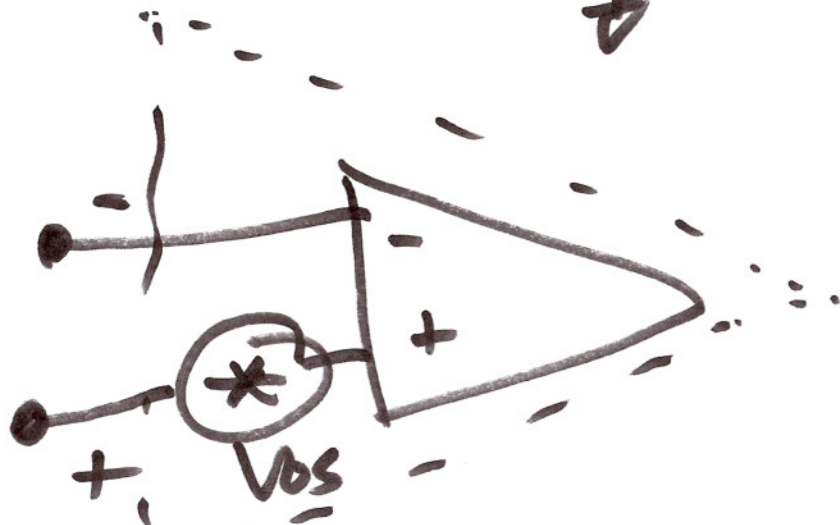
2)



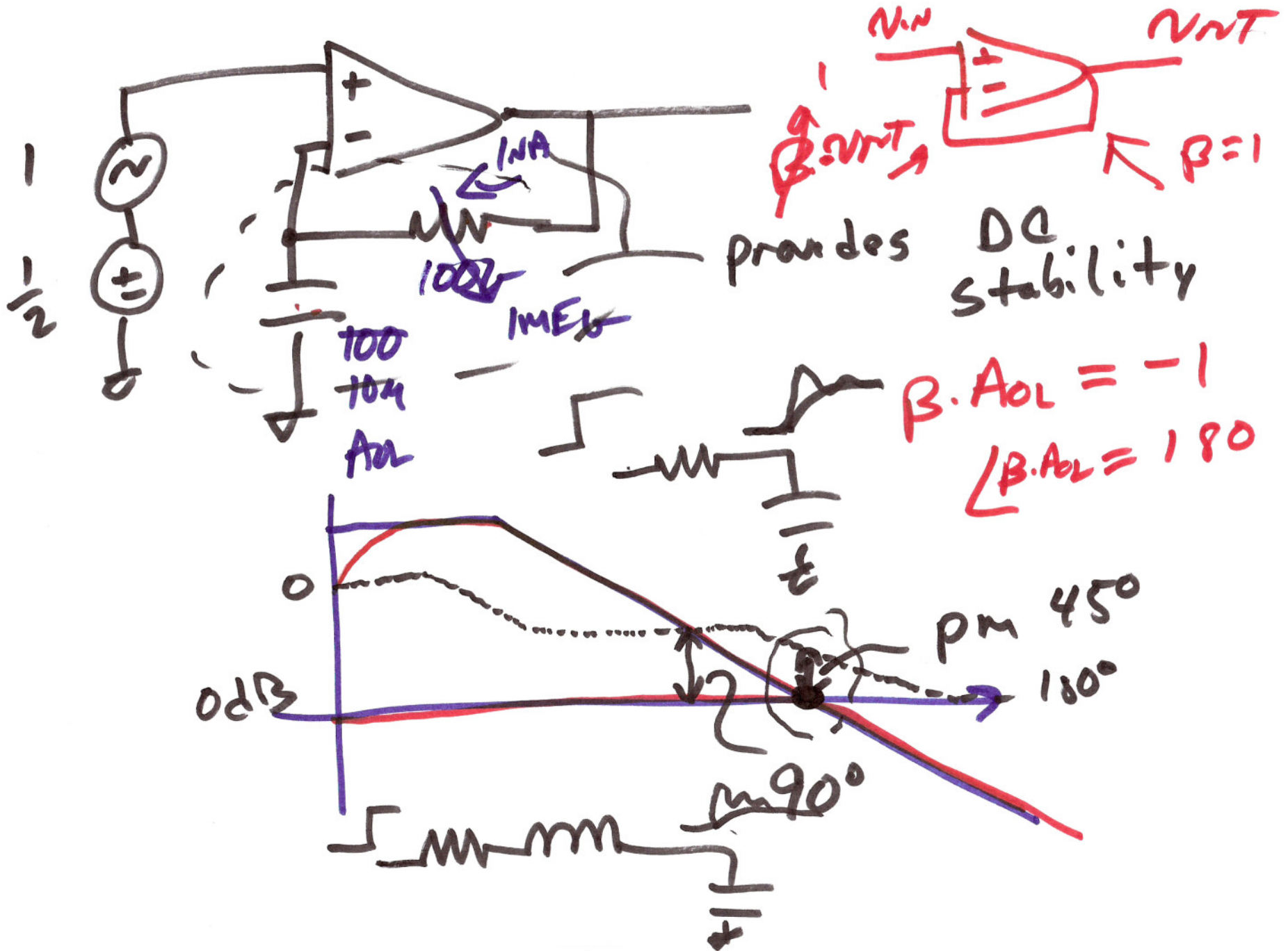
3)



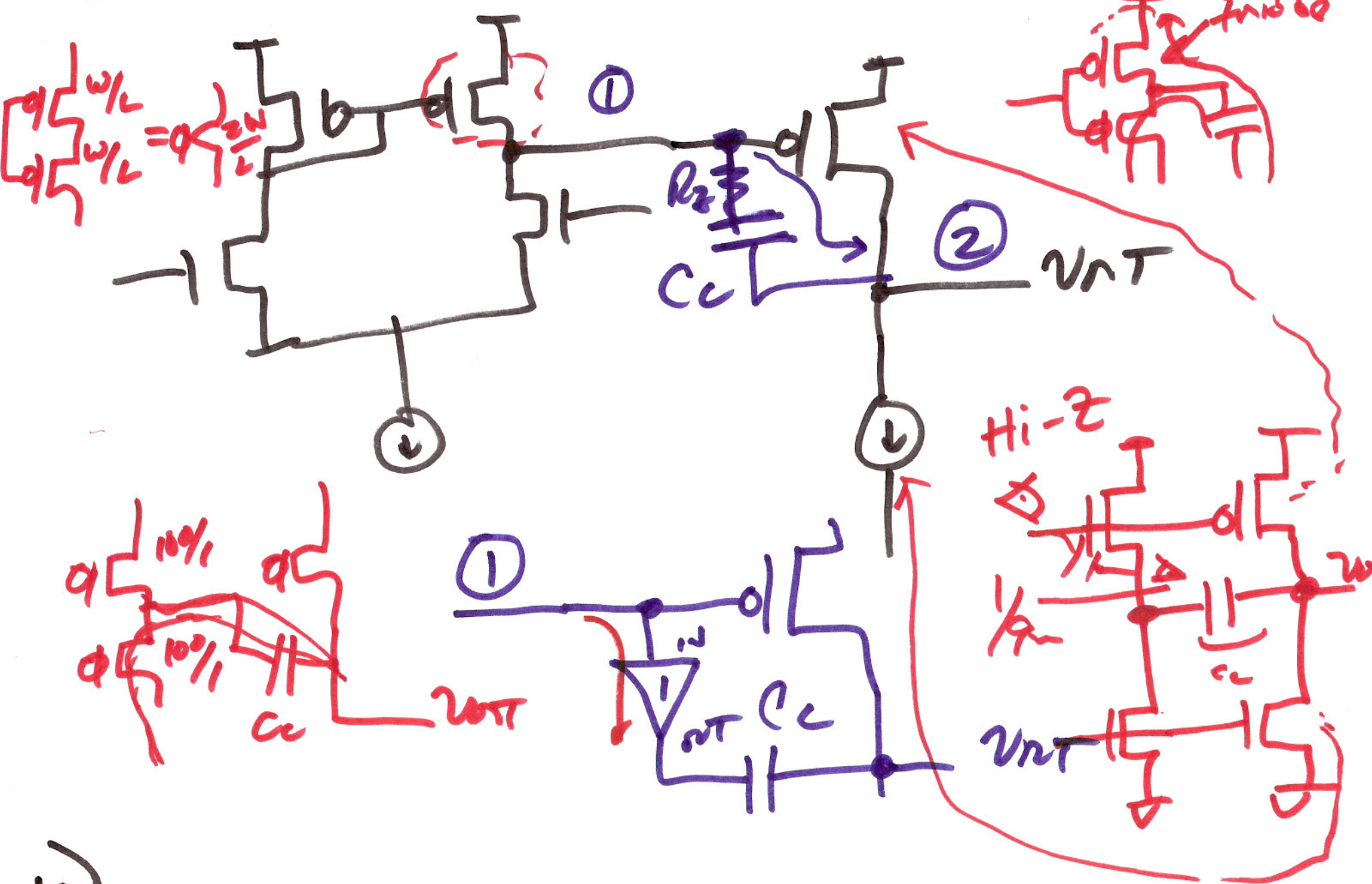
$$V_{out} = V_{os} \left(1 + \frac{R_2}{R_1} \right)$$



4)



5)



6)